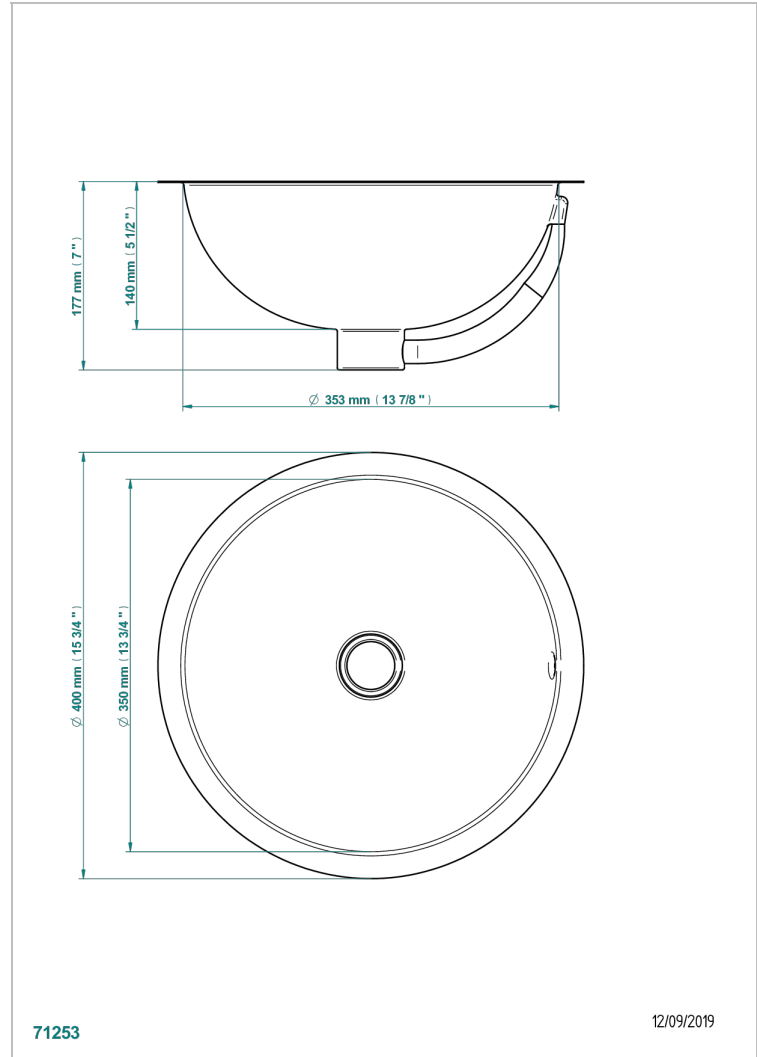


# METAL BASIN

GB2-1/BP

Round basin, ø 40 cm, with overflow and flat edge, hammered metal finishing - for installation from above or under a vanity top



## CHARACTERISTIC

- Metal Basin
- Round basin, ø 40 cm, with overflow and flat edge, hammered metal finishing - for installation from above or under a vanity top

## AVAILABLE FINITIONS

- Matt nickel (color finish) - C01
- Natural brass, uncoated (metal basin) - O05
- Natural red copper, uncoated (metal basin) - O04
- Polished chrome (color finish) - A02
- Polished gold (color finish) - F01
- Polished nickel - B01

Soft gold - F30