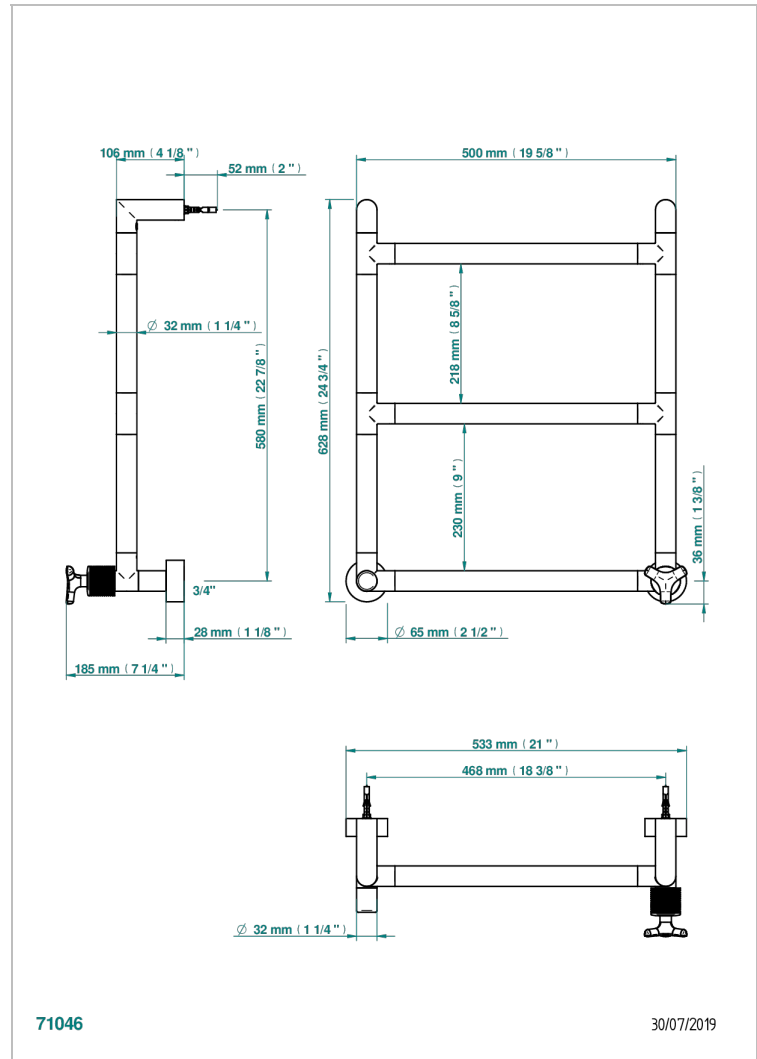


# SYSTEM DIAMOND METAL

G9C-TWR3H1

Contemporary round towel warmer, 3 rails, 533 mm x 617 mm, hydronic with 1 stylised handle

THG<sup>®</sup>  
PARIS



## CARACTERÍSTICAS

- System Diamond Metal
- Contemporary round towel warmer, 3 rails, 533 mm x 617 mm, hydronic with 1 stylised handle

## ESPECIFICACIONES TÉCNICAS

- Pression : 0,5 bars < P < 3 bars (recommandée)
- Pressure : 7.25 psi < P < 43.5 psi (advised)
- Température eau maximale conseillée : 60°C
- Maximum water temperature advised: 140°F
- Hauteur minimale au sol (maximum height from the ground) : 60 cm (24")
- Puissance / Power : 44W à Delta T 30

## ACABADOS DISPONIBLES

Cromo - A02  
Cromo mate - C02  
Dorado - F01  
Dorado mate - F07  
Dorado pálido - F30  
Dorado pálido mate (sin barniz) - F31

Níquel - B01  
Níquel mate - C01  
Pvd blush - H62  
Pvd blush mate - H60  
Pvd color latón - H49  
Pvd color latón mate - H50

Pvd color níquel - H55  
Pvd color níquel mate - H56  
Pvd color oro - H52  
Pvd color oro mate - H53  
Pvd grafito - H64  
Pvd grafito mate - H65

Pvd marrón bronce - F33  
Pvd marrón bronce mate - F34  
Pvd umber - H66  
Pvd umber mate - H67