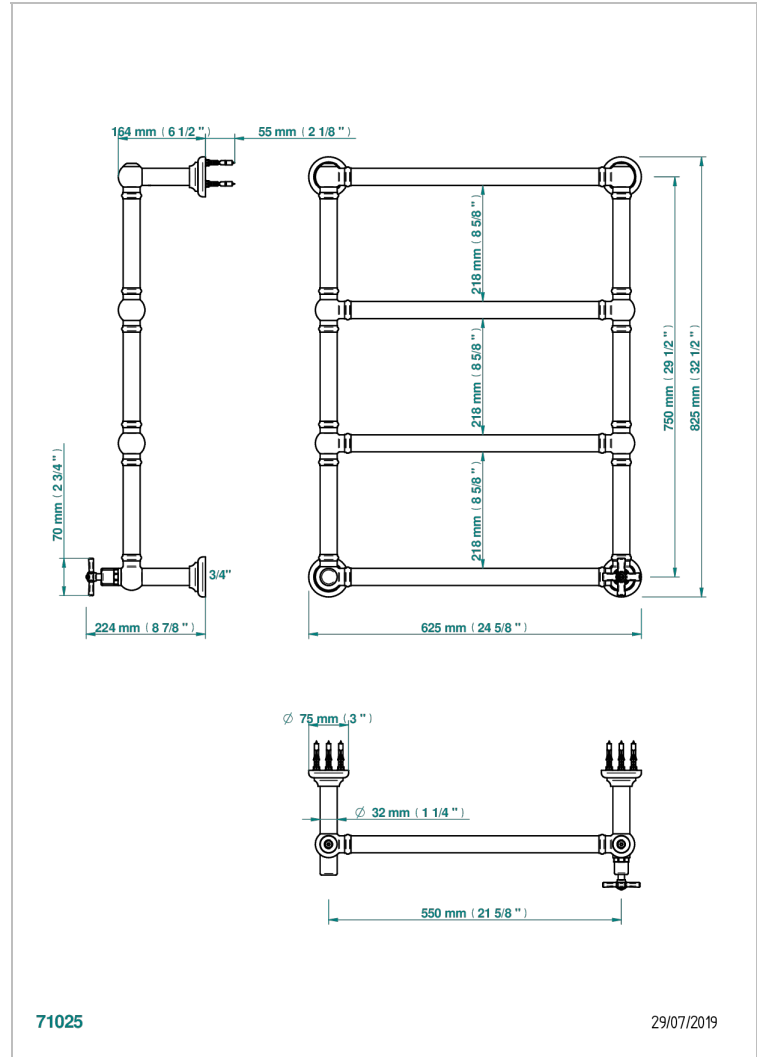
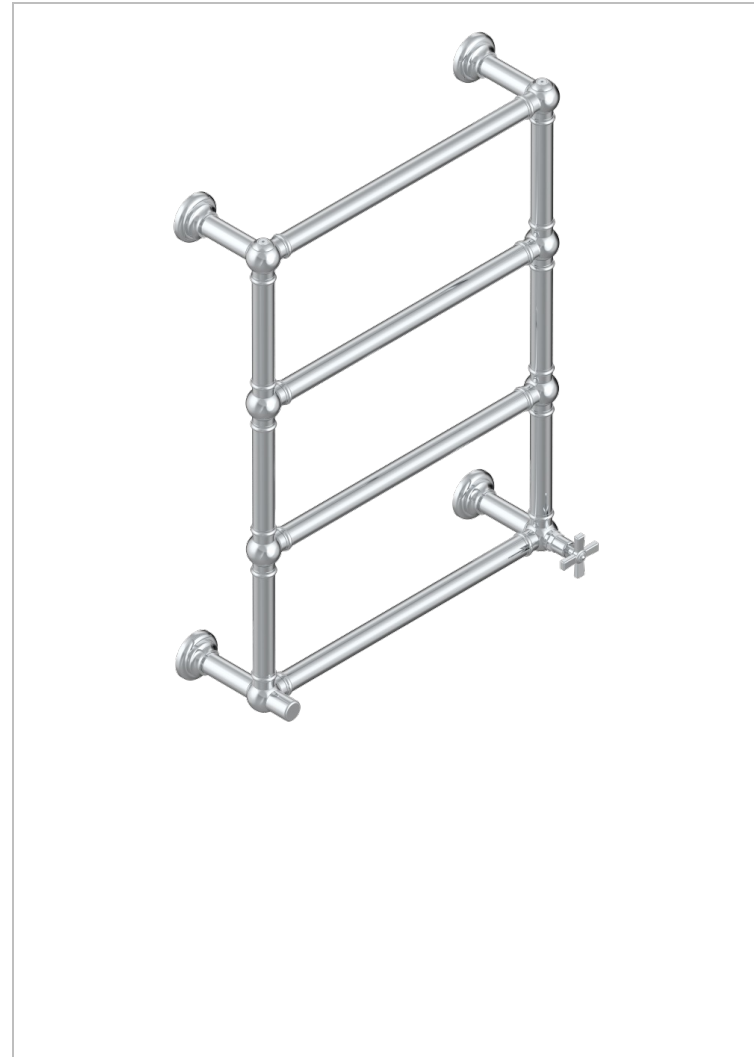


Traditional towel warmer, 4 rails, 625 mm x 825 mm, hydronic with 1 stylised handle



CHARACTERISTIC

- Saint-germain
- Traditional towel warmer, 4 rails, 625 mm x 825 mm, hydronic with 1 stylised handle

TECHNICAL SPECS

- Pression : 0,5 bars < P < 3 bars (recommandée)
- Pressure : 7.25 psi < P < 43.5 psi (advised)
- Température eau maximale conseillée : 60°C
- Maximum water temperature advised: 140°F
- Hauteur minimale au sol (maximum height from the ground) : 60 cm (24")
- Puissance / Power : 86W à Delta T 30

AVAILABLE FINITIONS

Blush PVD - H62
 Brass color PVD - H49
 Brown bronze color PVD - F33
 Gold color PVD - H52
 Graphite PVD - H64
 Lacquered light bronze - D01

Matt Umber PVD - H67
 Matt blush PVD - H60
 Matt brass color PVD - H50
 Matt brown bronze color PVD - F34
 Matt chrome - C02
 Matt gold - F07

Matt gold color PVD - H53
 Matt graphite PVD - H65
 Matt nickel (color finish) - C01
 Matt nickel color PVD - H56
 Nickel color PVD - H55
 Polished chrome (color finish) - A02

Polished gold (color finish) - F01
 Polished nickel - B01
 Soft gold - F30
 Soft matt gold - F31
 Umber PVD - H66