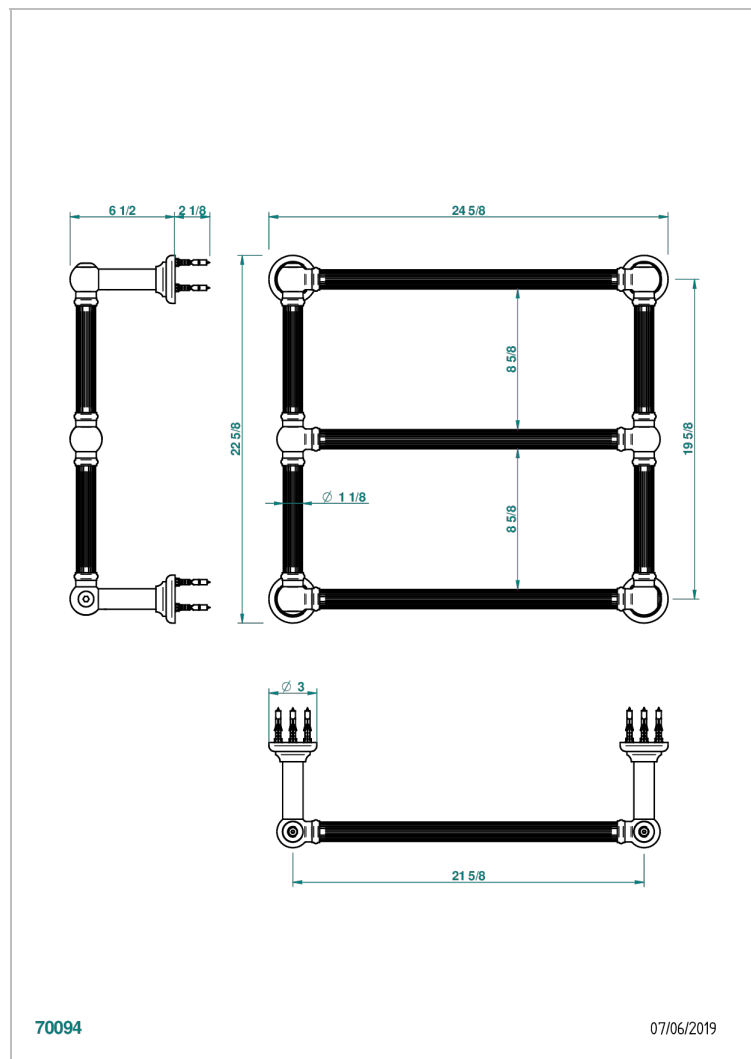


# TOWEL WARMER - TRADITIONAL

B6A-TWF3E

Traditional towel warmer with fluted tube, 3 rails, 625 mm x 575 mm, electric

THG<sup>®</sup>  
PARIS



## CHARACTERISTIC

- Solid brass body, seamless
- Resistance with thermal auto-regulation
- Installation possible with a wall mounted electric switch or timer (not supplied)
- Non-toxic and recyclable heat transfer fluid
- Hidden wire - standard length 1.20 m - Option 5 m (Class I only) - ref. TWCA5

## TECHNICAL SPECS

- Tension (voltage) : 110V ou 230V
- Puissance (power) : 70W
- IPX4
- CE classe 1, 2
- Hauteur minimale au sol (minimum height from the ground) : 60 cm (24")
- Température maximale (maximum temperature) : 60°C (140°F)

## AVAILABLE FINITIONS

Blush PVD - H62  
Brass color PVD - H49  
Gold color PVD - H52  
Graphite PVD - H64  
Lacquered light bronze - D01  
Matt Umber PVD - H67

Matt blush PVD - H60  
Matt brass color PVD - H50  
Matt chrome - C02  
Matt gold - F07  
Matt gold color PVD - H53  
Matt graphite PVD - H65

Matt nickel (color finish) - C01  
Matt nickel color PVD - H56  
Nickel color PVD - H55  
Polished chrome (color finish) - A02  
Polished gold (color finish) - F01  
Polished nickel - B01

Soft gold - F30  
Soft matt gold - F31  
Umber PVD - H66