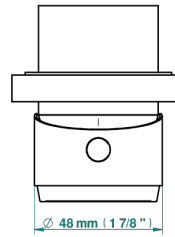
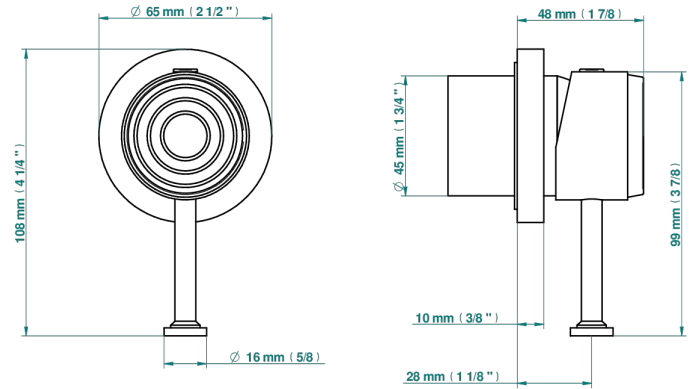


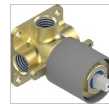
WEST COAST WHITE ONYX

U9G-6540RB

Trim only for wall mixer on rosette



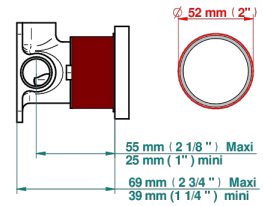
Compatible with



6540A
6540A/W



6540A/US



ø de perçage conseillé
recommended drilling ø
empfohlener Abstand
Ø de perforación aconsejado

Tube

70023

18/06/2019

CHARACTERISTIC

- West Coast White Onyx
- Trim only for wall mixer on rosette

RELATED SKU'S

- Ref. G00-6540A Rough parts for wall mounted flush fit shower mixer 2 x 1/2" inlets 1 x 1/2" outlet

AVAILABLE FINITIONS

Antique nickel - H28
Black ceram - D30
Blush PVD - H62
Brass color PVD - H49
Brown bronze color PVD - F33
Gold color PVD - H52

Graphite PVD - H64
Lacquered light bronze - D01
Matt Umber PVD - H67
Matt blush PVD - H60
Matt brass color PVD - H50
Matt brown bronze color PVD - F34

Matt chrome - C02
Matt gold - F07
Matt gold color PVD - H53
Matt graphite PVD - H65
Matt nickel (color finish) - C01
Matt nickel color PVD - H56

Natural smoked Brass - A13
Nickel color PVD - H55
Polished chrome (color finish) - A02
Polished gold (color finish) - F01
Polished nickel - B01
Soft gold - F30

Soft matt gold - F31
Umber PVD - H66
Varnished matt antique red copper (color finish) - H07