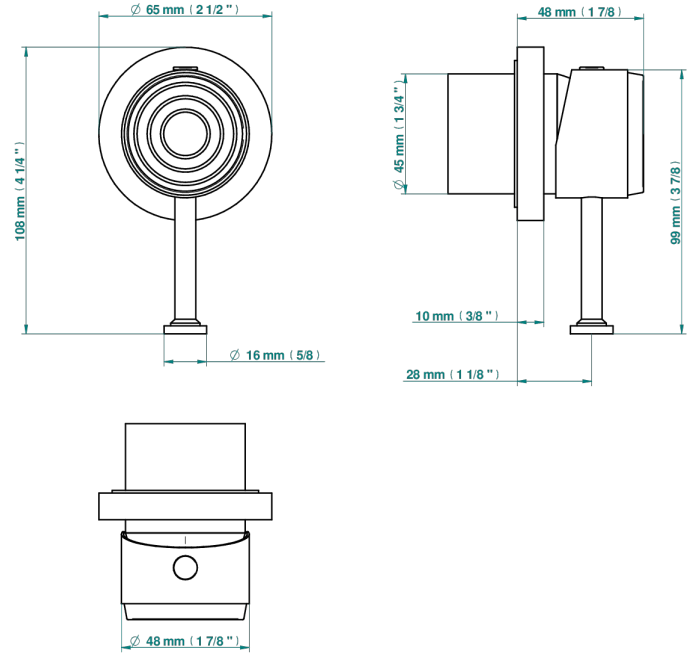


WEST COAST METAL WITH LEVER

U9B-6540RB

Trim only for wall mixer on rosette

THG[®]
PARIS



Compatible with

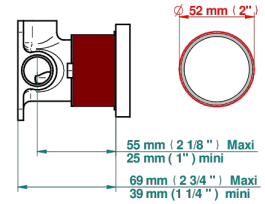


6540A
6540A/W



6540A/US

Ø de perçage conseillé
recommended drilling ø
empfohlener Abstand
Ø de perforación aconsejado



Tube

70023

18/06/2019

CARACTERÍSTICAS

- West Coast Metal with lever
- Trim only for wall mixer on rosette

PRODUCTOS RELACIONADOS

- Ref. G00-6540A Rough parts for wall mounted flush fit shower mixer 2 x 1/2" inlets 1 x 1/2" outlet

ACABADOS DISPONIBLES

Bronce claro - D01
Cerámica negra mate - D30
Cobre viejo mate - H07
Cromo - A02
Cromo mate - C02
Dorado - F01

Dorado mate - F07
Dorado pálido - F30
Dorado pálido mate (sin barniz) - F31
Natural smoked Brass - A13
Níquel - B01
Níquel mate - C01

Níquel viejo - H28
Polished chrome with gold inlay - GA1
Pvd blush - H62
Pvd blush mate - H60
Pvd color latón - H49
Pvd color latón mate - H50

Pvd color níquel - H55
Pvd color níquel mate - H56
Pvd color oro - H52
Pvd color oro mate - H53
Pvd grafito - H64
Pvd grafito mate - H65

Pvd marrón bronce - F33
Pvd marrón bronce mate - F34
Pvd umber - H66
Pvd umber mate - H67