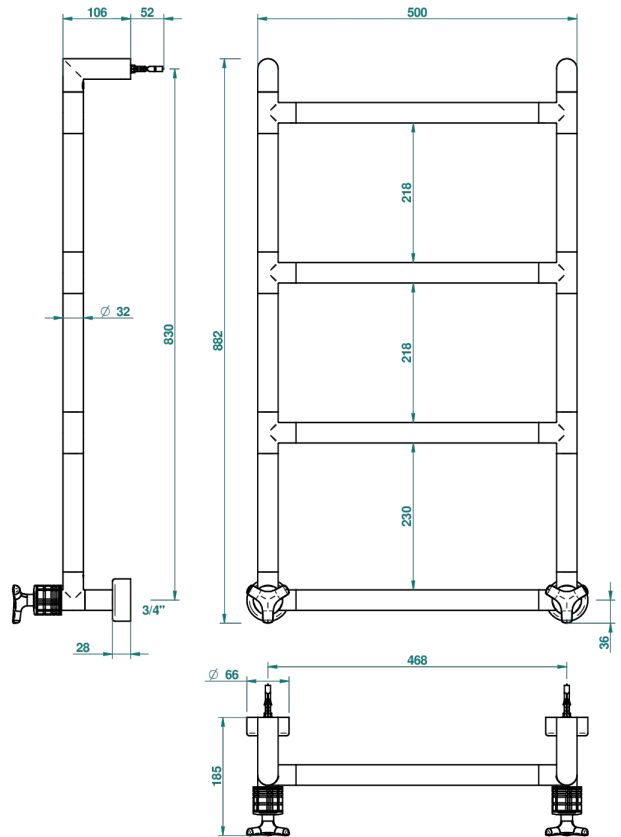
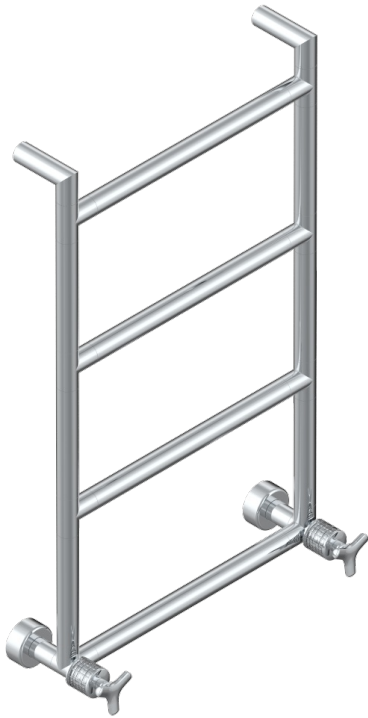


SYSTEM CRYSTAL

G9J-TWR4H2

Contemporary round towel warmer, 4 rails, 533 mm x 867 mm, hydronic with 2 stylised handles

THG[®]
PARIS



69848

15/05/2019

CHARACTERISTIC

- System Crystal
- Contemporary round towel warmer, 4 rails, 533 mm x 867 mm, hydronic with 2 stylised handles

TECHNICAL SPECS

- Pression : 0,5 bars < P < 3 bars (recommandée)
- Pressure : 7.25 psi < P < 43.5 psi (advised)
- Température eau maximale conseillée : 60°C
- Maximum water temperature advised: 140°F
- Hauteur minimale au sol (maximum height from the ground) : 60 cm (24")
- Puissance / Power : 59W à Delta T 30

AVAILABLE FINITIONS

Blush PVD - H62
Brass color PVD - H49
Brown bronze color PVD - F33
Gold color PVD - H52
Graphite PVD - H64
Matt Umber PVD - H67

Matt blush PVD - H60
Matt brass color PVD - H50
Matt brown bronze color PVD - F34
Matt chrome - C02
Matt gold - F07
Matt gold color PVD - H53

Matt graphite PVD - H65
Matt nickel (color finish) - C01
Matt nickel color PVD - H56
Nickel color PVD - H55
Polished chrome (color finish) - A02
Polished gold (color finish) - F01

Polished nickel - B01
Soft gold - F30
Soft matt gold - F31
Umber PVD - H66