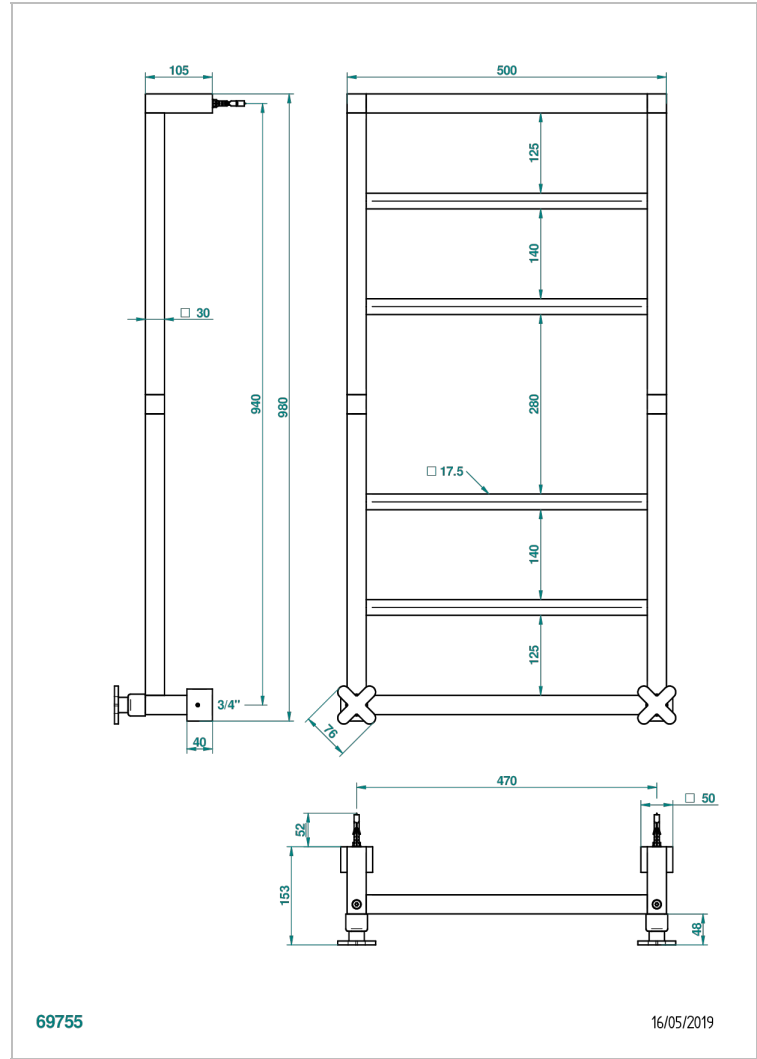


Contemporary square towel warmer, 6 rails, 520 mm x 980 mm, hydronic with 2 stylised handles



CARACTERÍSTICAS

- Cuerpo en latón macizo
- 2 x Cartuchos normales 1/2"
- Conexiones en F3/4"

ESPECIFICACIONES TÉCNICAS

- Pression : 0,5 bars < P < 3 bars (recommandée)
- Pressure : 7.25 psi < P < 43.5 psi (advised)
- Température eau maximale conseillée : 60°C
- Maximum water temperature advised: 140°F
- Hauteur minimale au sol (maximum height from the ground) : 60 cm (24")
- Puissance / Power : 96W à Delta T 30

ACABADOS DISPONIBLES

- | | |
|---------------------------------------|----------------------------|
| Cromo - A02 | Níquel - B01 |
| Cromo mate - C02 | Níquel mate - C01 |
| Dorado - F01 | Pvd blush - H62 |
| Dorado mate - F07 | Pvd blush mate - H60 |
| Dorado pálido - F30 | Pvd color latón - H49 |
| Dorado pálido mate (sin barniz) - F31 | Pvd color latón mate - H50 |

- | |
|-----------------------------|
| Pvd color níquel - H55 |
| Pvd color níquel mate - H56 |
| Pvd color oro - H52 |
| Pvd color oro mate - H53 |
| Pvd grafito - H64 |
| Pvd grafito mate - H65 |

- | |
|------------------------------|
| Pvd marrón bronce - F33 |
| Pvd marrón bronce mate - F34 |
| Pvd umber - H66 |
| Pvd umber mate - H67 |