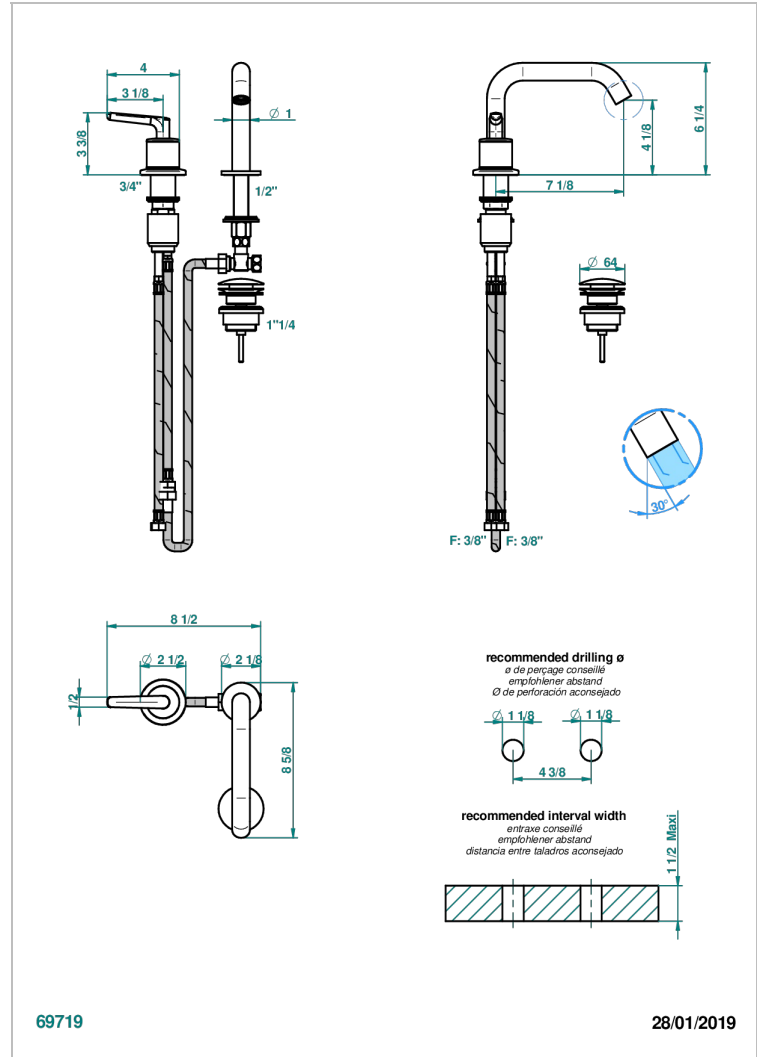


BONDI WITH LEVER

G7G-6590

2-hole basin mixer with spout and mixer, with waste



CARACTERÍSTICAS

- Bondi with lever
- 2-hole basin mixer with spout and mixer, with waste

ESPECIFICACIONES TÉCNICAS

- Recommandé : 3 bars (max. 5 bars) - Advised : 43,5 psi (max. 72 psi)
- 8,3 l/min à 3 bars (2.2 gpm at 43.5 psi)

ACABADOS DISPONIBLES

Bronce claro - D01
 Cerámica negra mate - D30
 Cromo - A02
 Cromo / dorado - G02
 Cromo mate - C02
 Dorado - F01

Dorado mate - F07
 Dorado pálido - F30
 Dorado pálido mate (sin barniz) - F31
 Natural smoked Brass - A13
 Níquel - B01
 Níquel mate - C01

Níquel viejo - H28
 Pvd blush - H62
 Pvd blush mate - H60
 Pvd color latón - H49
 Pvd color latón mate - H50
 Pvd color níquel - H55

Pvd color níquel mate - H56
 Pvd color oro - H52
 Pvd color oro mate - H53
 Pvd grafito - H64
 Pvd grafito mate - H65
 Pvd marrón bronce - F33

Pvd marrón bronce mate - F34
 Pvd umber - H66
 Pvd umber mate - H67