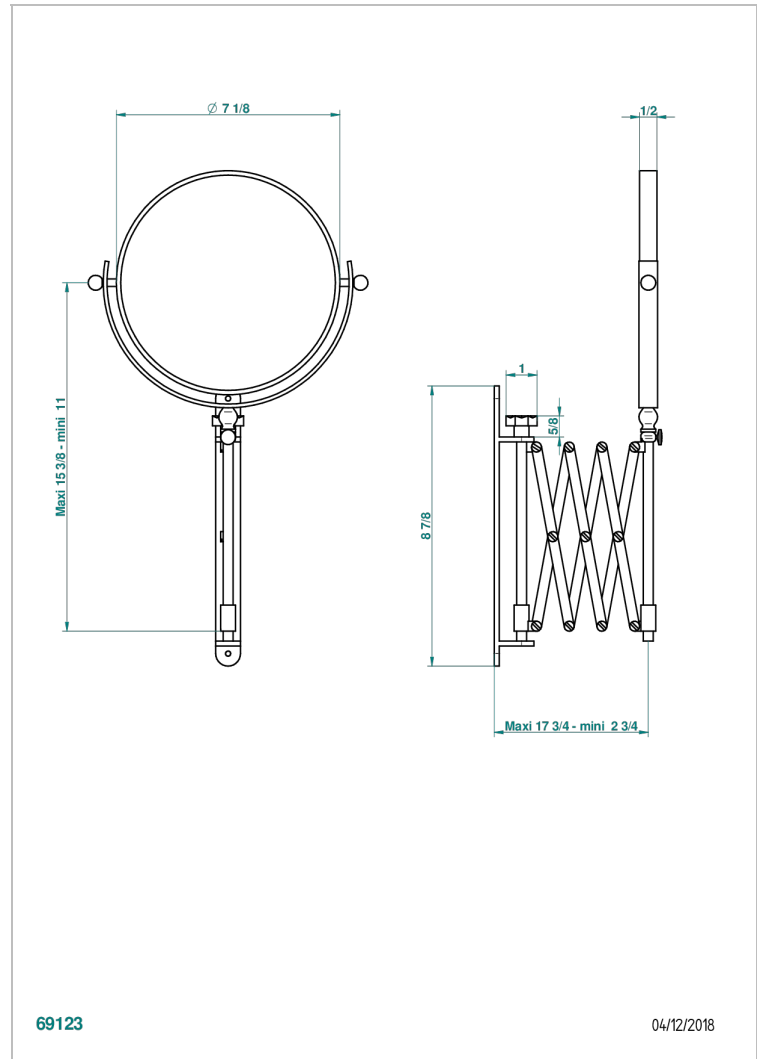


NIHAL IVORY PORCELAIN

U2N-668

Extendable shaving mirror, reversible with 1 magnifying side (not available in PVD finishes)

THG[®]
PARIS



CHARACTERISTIC

- Nihal Ivory porcelain
- Extendable shaving mirror, reversible with 1 magnifying side (not available in PVD finishes)

AVAILABLE FINITIONS

Chrome polished - A02
Chrome polished / gold polished - G02
Gold mat - F07
Gold polished - F01
Light coated bronze - D01
Matt chrome (American satin) - C02

Matt nickel (American satin) - C01
Nickel antique / Sovereign - H28
Nickel polished - B01
Soft gold - F30
Soft matt gold - F31