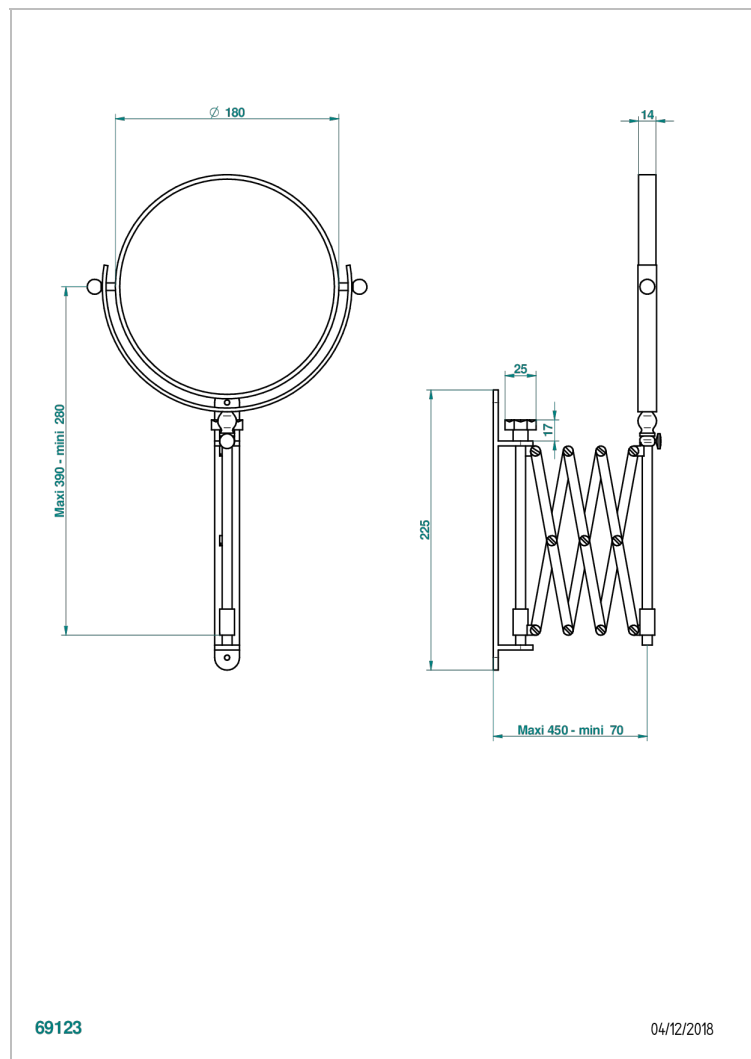


# NIHAL BLUE PORCELAIN

U2L-668

THG<sup>®</sup>  
PARIS

Extendable shaving mirror, reversible with 1 magnifying side (not available in PVD finishes)



## CHARACTERISTIC

- Nihal Blue porcelain
- Extendable shaving mirror, reversible with 1 magnifying side (not available in PVD finishes)

## AVAILABLE FINITIONS

Chrome polished - A02  
Chrome polished / gold polished - G02  
Gold mat - F07  
Gold polished - F01  
Light coated bronze - D01  
Matt chrome (American satin) - C02

Matt nickel (American satin) - C01  
Nickel antique / Sovereign - H28  
Nickel polished - B01  
Soft gold - F30  
Soft matt gold - F31