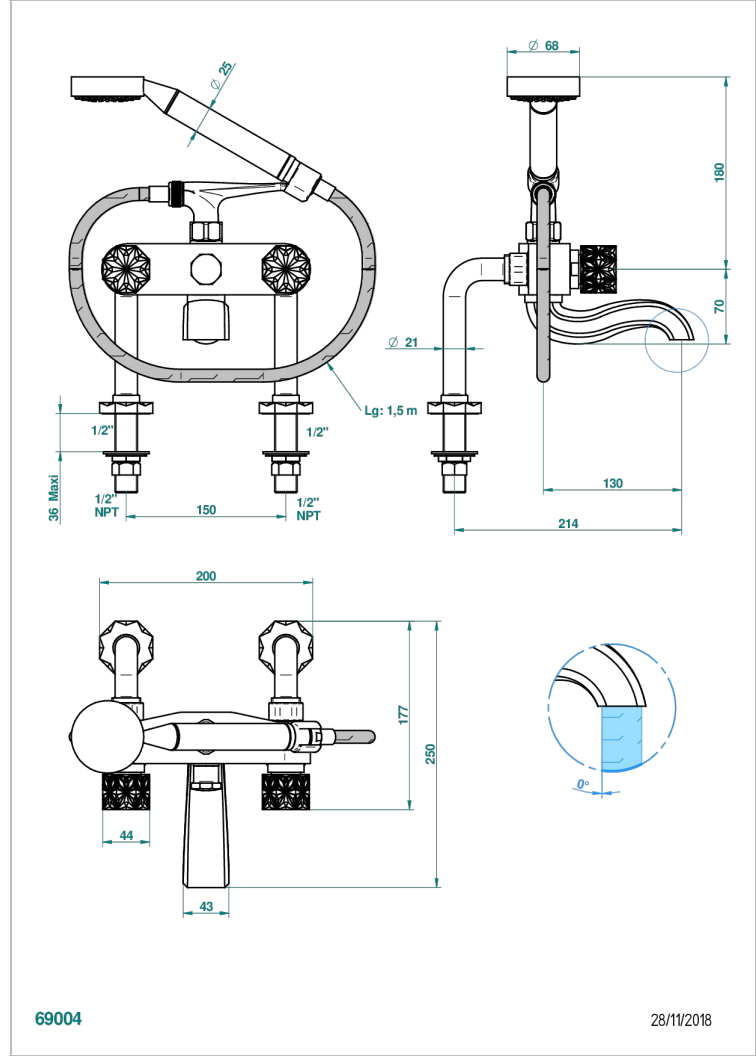


# NIHAL BLACK PORCELAIN

U2P-13G/US

Exposed tub filler with cradle handshower, deck mounted



## CHARACTERISTIC

- ASME : ASME A112.18.1-2011/CSA B125.1-11

## STANDARDS



## AVAILABLE FINITIONS

- |                                       |                                   |                                    |                                    |                      |
|---------------------------------------|-----------------------------------|------------------------------------|------------------------------------|----------------------|
| Black ceram - D30                     | Copper antique matt, coated - H07 | Matt Umber PVD - H67               | Matt graphite PVD - H65            | Soft gold - F30      |
| Blush PVD - H62                       | Gold color PVD - H52              | Matt blush PVD - H60               | Matt nickel (American satin) - C01 | Soft matt gold - F31 |
| Brass color PVD - H49                 | Gold mat - F07                    | Matt brass color PVD - H50         | Matt nickel color PVD - H56        | Umber PVD - H66      |
| Brown bronze color PVD - F33          | Gold polished - F01               | Matt brown bronze color PVD - F34  | Nickel antique / Sovereign - H28   |                      |
| Chrome polished - A02                 | Graphite PVD - H64                | Matt chrome (American satin) - C02 | Nickel color PVD - H55             |                      |
| Chrome polished / gold polished - G02 | Light coated bronze - D01         | Matt gold color PVD - H53          | Nickel polished - B01              |                      |