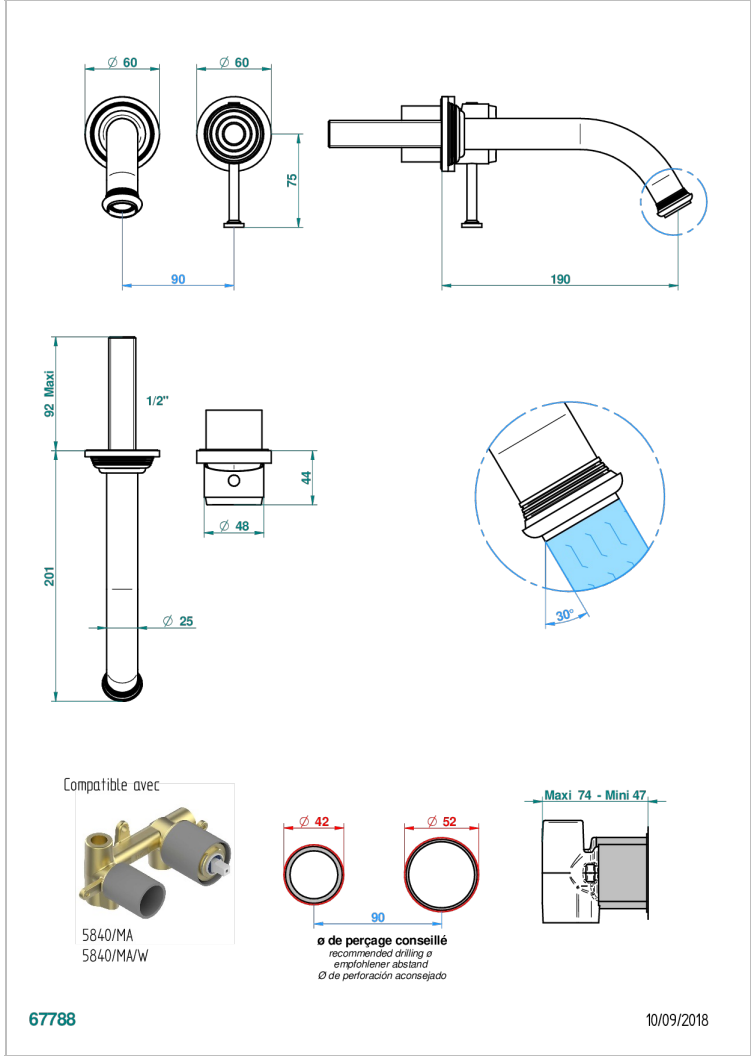


# WEST COAST WHITE ONYX WITH LEVER HANDLES

U9H-6541B

Trim only for Built-in basin mixer with spout (two x 1/2" inlets and one 1/2" outlet), without waste



## CHARACTERISTIC

- West Coast White Onyx with lever handles
- Trim only for Built-in basin mixer with spout (two x 1/2" inlets and one 1/2" outlet), without waste

## TECHNICAL SPECS

- Recommandé : 3 bars (max. 5 bars) - Advised : 43,5 psi (max. 72 psi)
- 8,3 l/min à 3 bars (2.2 gpm at 43.5 psi)

## RELATED SKU'S

- Ref. G00-5840/MA Rough parts for concealed wall-mounted mixer with 1/2" outlet

## AVAILABLE FINITIONS

- |                              |                                   |                                  |                                      |  |
|------------------------------|-----------------------------------|----------------------------------|--------------------------------------|--|
| Antique nickel - H28         | Graphite PVD - H64                | Matt chrome - C02                | Natural smoked Brass - A13           | Soft matt gold - F31                                   |
| Black ceram - D30            | Lacquered light bronze - D01      | Matt gold - F07                  | Nickel color PVD - H55               | Umber PVD - H66  |
| Blush PVD - H62              | Matt Umber PVD - H67              | Matt gold color PVD - H53        | Polished chrome (color finish) - A02 | Varnished matt antique red copper (color finish) - H07 |
| Brass color PVD - H49        | Matt blush PVD - H60              | Matt graphite PVD - H65          | Polished gold (color finish) - F01   |  |
| Brown bronze color PVD - F33 | Matt brass color PVD - H50        | Matt nickel (color finish) - C01 | Polished nickel - B01                |  |
| Gold color PVD - H52         | Matt brown bronze color PVD - F34 | Matt nickel color PVD - H56      | Soft gold - F30                      |  |