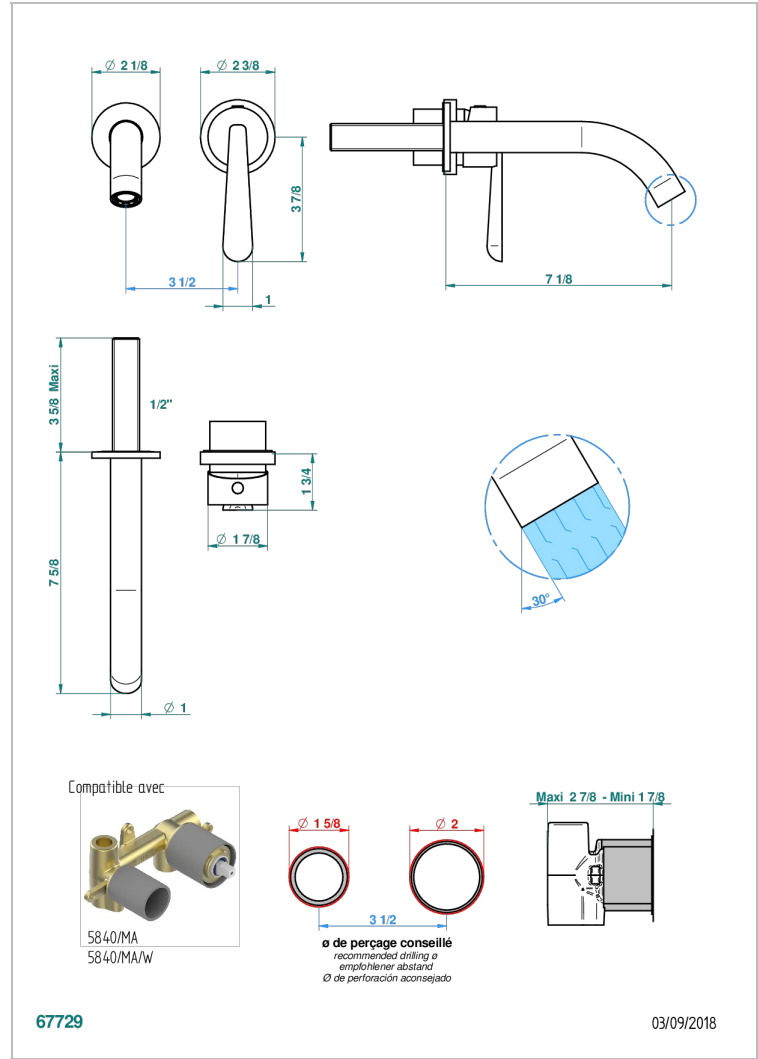
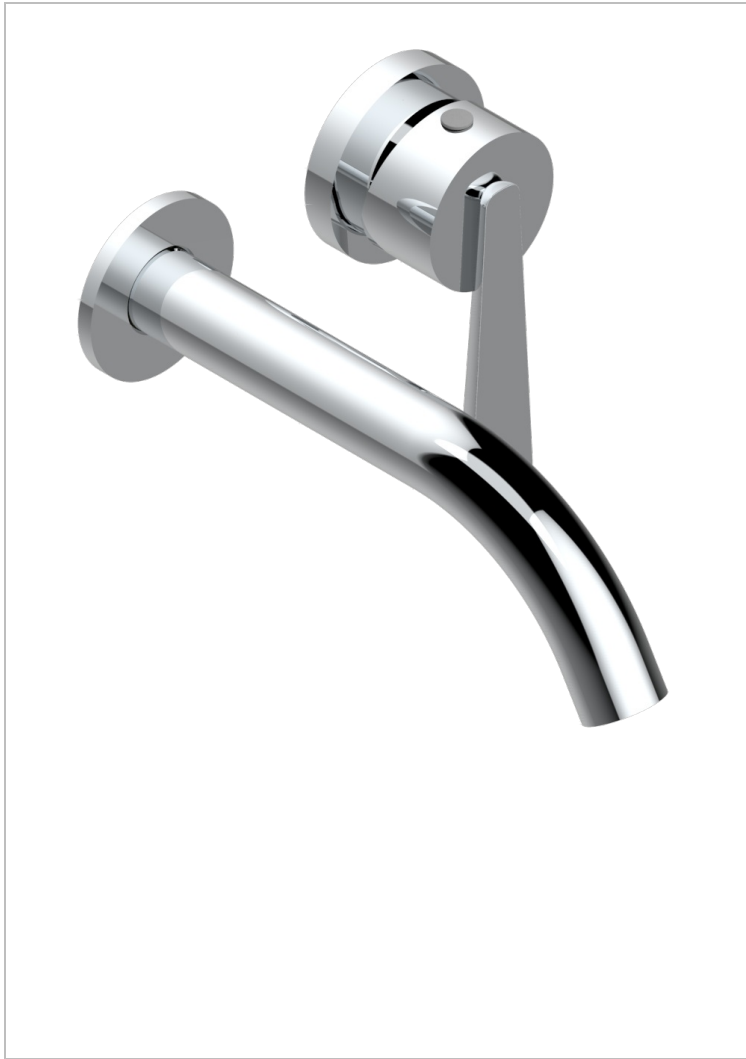


Trim only for Built-in basin mixer with spout (two x 1/2" inlets and one 1/2" outlet), without waste



## CARACTERÍSTICAS

- Dean
- Trim only for Built-in basin mixer with spout (two x 1/2" inlets and one 1/2" outlet), without waste

## ESPECIFICACIONES TÉCNICAS

- Recommandé : 3 bars (max. 5 bars) - Advised : 43,5 psi (max. 72 psi)
- 8,3 l/min à 3 bars (2.2 gpm at 43.5 psi)

## PRODUCTOS RELACIONADOS

- Ref. G00-5840/MAUS Rough parts for concealed wall-mounted mixer with 1/2" outlet

## ACABADOS DISPONIBLES

Bronce claro - D01  
Cerámica negra mate - D30  
Cromo - A02  
Cromo mate - C02  
Dorado - F01  
Dorado mate - F07

Dorado pálido - F30  
Dorado pálido mate (sin barniz) - F31  
Natural smoked Brass - A13  
Níquel - B01  
Níquel mate - C01  
Níquel viejo - H28

Pvd blush - H62  
Pvd blush mate - H60  
Pvd color latón - H49  
Pvd color latón mate - H50  
Pvd color níquel - H55  
Pvd color níquel mate - H56

Pvd color oro - H52  
Pvd color oro mate - H53  
Pvd grafito - H64  
Pvd grafito mate - H65  
Pvd marrón bronce - F33  
Pvd marrón bronce mate - F34

Pvd umber - H66  
Pvd umber mate - H67