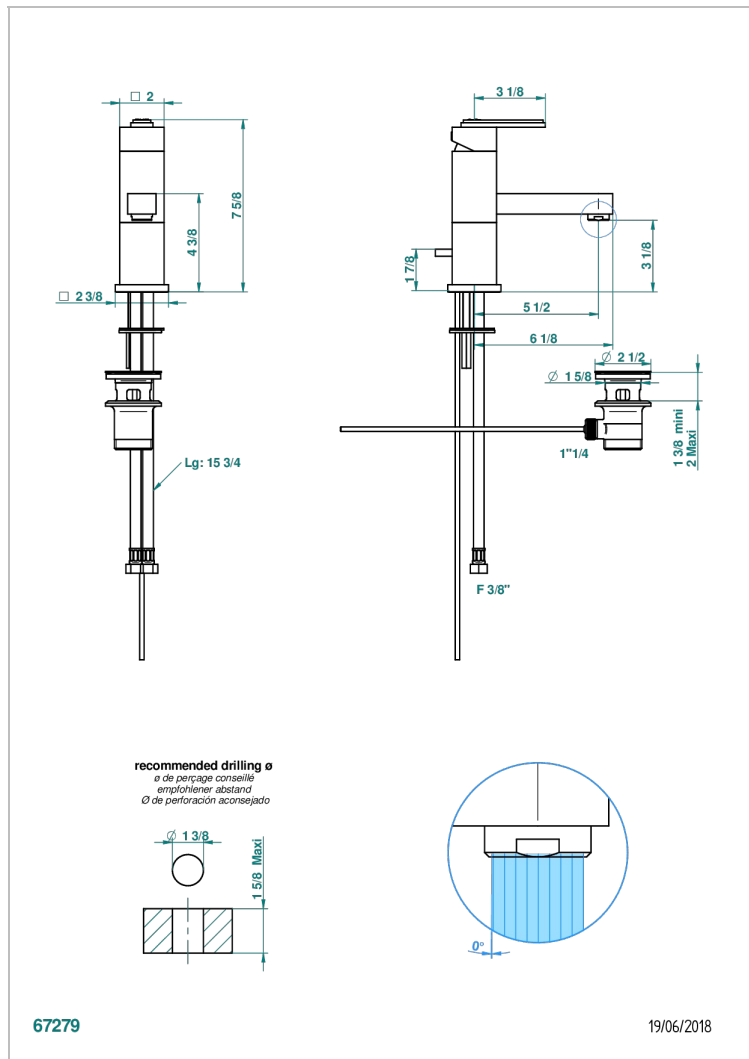


# MASQUE DE FEMME SOLAIRE

A2S-6500/W

Single lever basin mixer with waste - WRAS approved



## CHARACTERISTIC

- WRAS : 2006339

## STANDARDS



## AVAILABLE FINITIONS

- Black ceram - D30
- Matt chrome - C02
- Matt gold - F07
- Matt nickel (color finish) - C01
- Polished chrome (color finish) - A02
- Polished chrome / Polished gold (color finish) - G02

- Polished gold (color finish) - F01
- Polished nickel - B01
- Soft gold - F30
- Soft matt gold - F31