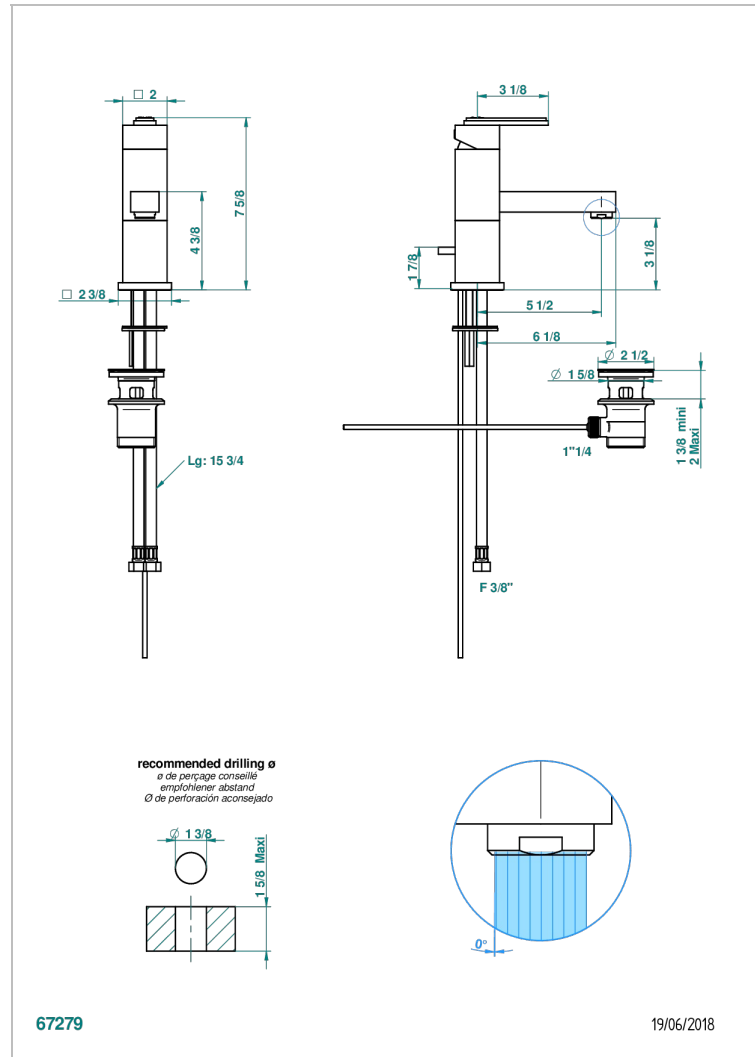
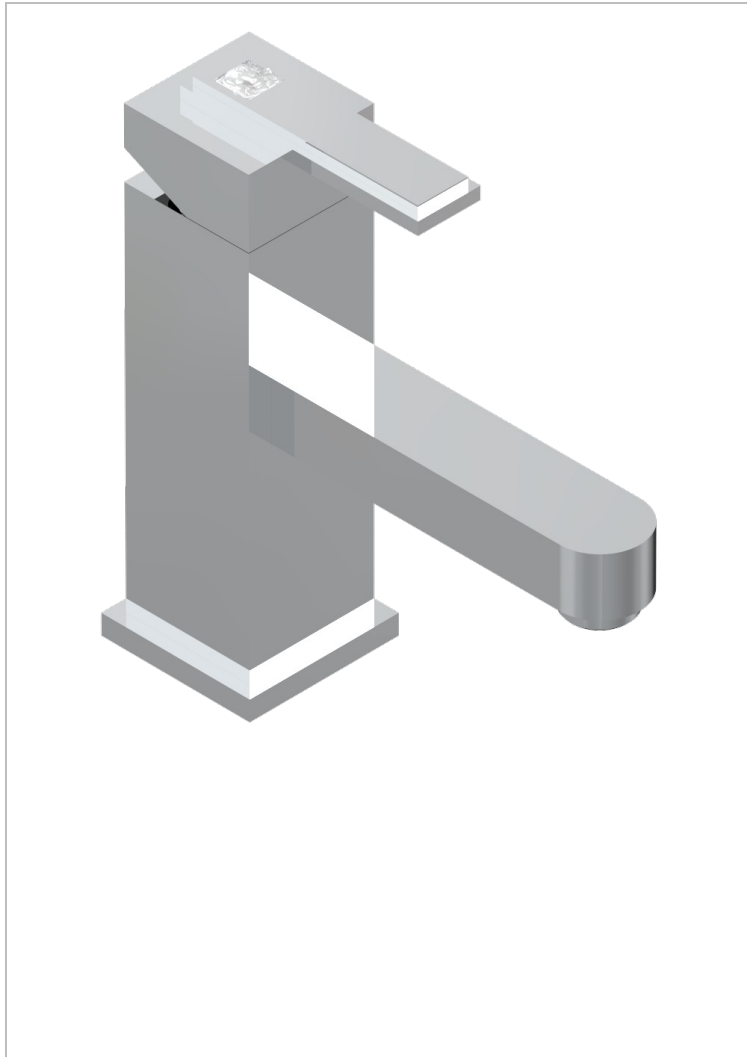


MASQUE DE FEMME LUNAIRE

A2R-6500/W

Single lever basin mixer with waste - WRAS approved

THG[®]
PARIS



67279

19/06/2018

CHARACTERISTIC

- WRAS : 2006339

STANDARDS



AVAILABLE FINITIONS

- Black ceram - D30
- Matt chrome - C02
- Matt gold - F07
- Matt nickel (color finish) - C01
- Polished chrome (color finish) - A02
- Polished chrome / Polished gold (color finish) - G02

- Polished gold (color finish) - F01
- Polished nickel - B01
- Soft gold - F30
- Soft matt gold - F31