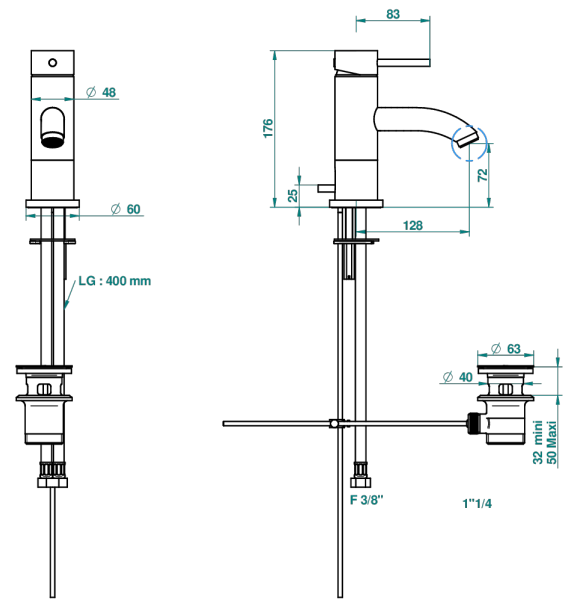


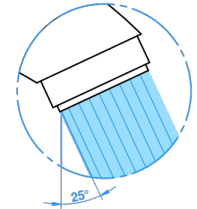
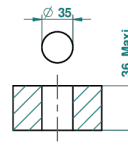
# NANO WITH LEVER

G5B-6500/W

Single lever basin mixer with waste - WRAS approved



Ø de perçage conseillé  
recommended drilling ø  
empfohlener abstand  
Ø de perforación aconsejado



67252

18/06/2018

## CHARACTERISTIC

- WRAS : 2006339

## STANDARDS



## AVAILABLE FINITIONS

- Antique nickel - H28
- Black ceram - D30
- Matt chrome - C02
- Matt gold - F07
- Matt nickel (color finish) - C01
- Polished chrome (color finish) - A02

- Polished chrome / Polished gold (color finish) - G02
- Polished gold (color finish) - F01
- Polished nickel - B01
- Soft gold - F30
- Soft matt gold - F31