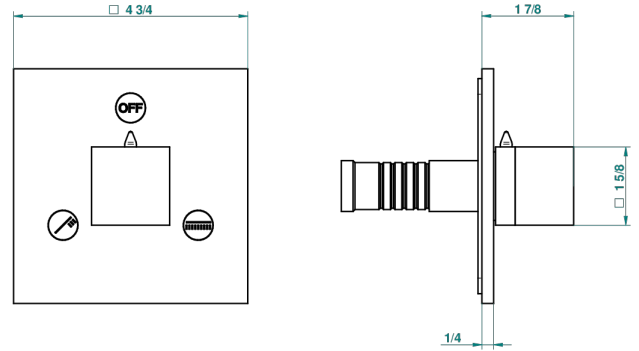
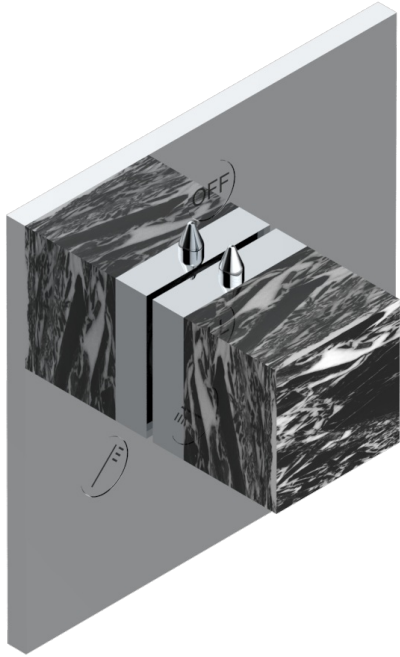


MONTAIGNE GRAND ANTIQUE MARBLE WITH LEVER

G3S-48M2SB

Trim for wall mounted diverter, 2 ways - ref. 48M2 and 3 ways - ref. 49M3

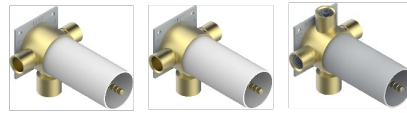


6 pastilles inclus / 6 pads included



Garniture compatible avec les inverseurs ci-dessous

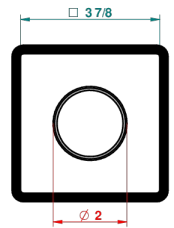
Trim compatible with the diverters below



48M2SPSA
48M2SPUSA
48M2SPSA/W

48M2S0A
48M2S0USA
48M2S0A/W

49M3SPSA
49M3SPSUSA
49M3SPSA/W



Tube / Pipe Joint Plaque / Seal Plate

66810

16/05/2018

CARACTERÍSTICAS

- Montaigne Grand Antique marble with lever
- Trim for wall mounted diverter, 2 ways - ref. 48M2 and 3 ways - ref. 49M3

PRODUCTOS RELACIONADOS

- Ref. G00-48M2SOUSA Corps d'inverseur 3 voies mural à encastrer (1 arrivée 3/4" NPT - 2 sorties 1/2" NPT- pas de fonction arrêt) avec cartouche céramique - sans garniture - Standard US
- Ref. G00-48M2SPSUSA Wall mounted 3-way diverter with ceramic cartridge for concealed installation- 1 inlet 3/4" and 2 outlets 1/2" with positive top, no shared ports - no trim
- Ref. G00-49M3SPSUSA Coprs d' inverseur 4 voies mural à encastrer (1 arrivée 3/4" - 3 sorties 1/2"avec position Stop) avec cartouche céramique - sans garniture - standard US

ACABADOS DISPONIBLES

Bronce claro - D01
Cerámica negra mate - D30
Cobre viejo mate - H07
Cromo - A02
Cromo / dorado - G02
Cromo mate - C02

Dorado - F01
Dorado mate - F07
Dorado pálido - F30
Dorado pálido mate (sin barniz) - F31
Níquel - B01
Níquel mate - C01

Níquel viejo - H28
Pvd blush - H62
Pvd blush mate - H60
Pvd color latón - H49
Pvd color latón mate - H50
Pvd color níquel - H55

Pvd color níquel mate - H56
Pvd color oro - H52
Pvd color oro mate - H53
Pvd grafito - H64
Pvd grafito mate - H65
Pvd marrón bronce - F33

Pvd marrón bronce mate - F34
Pvd umber - H66
Pvd umber mate - H67