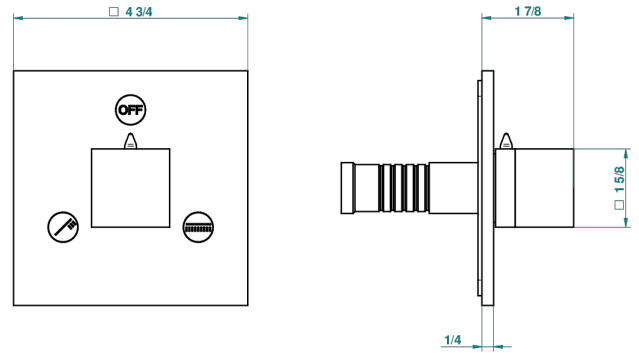
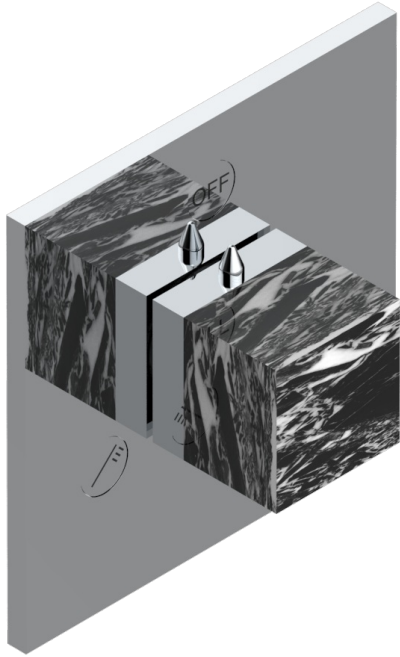


MONTAIGNE GRAND ANTIQUE MARBLE WITH LEVER

G3S-48M2SB

Trim for wall mounted diverter, 2 ways - ref. 48M2 and 3 ways - ref. 49M3

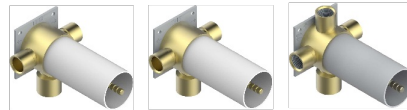


6 pastilles inclus / 6 pads included



Garniture compatible avec les inverseurs ci-dessous

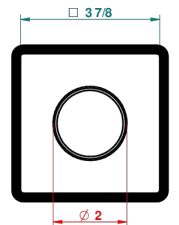
Trim compatible with the diverters below



48M2SPSA
48M2SPUSA
48M2SPSA/W

48M2SOA
48M2SOUSA
48M2SOA/W

49M3SPSA
49M3SPSUSA
49M3SPSA/W



Tube / Pipe Joint Plaque / Seal Plate

66810

16/05/2018

CHARACTERISTIC

- Montaigne Grand Antique marble with lever
- Trim for wall mounted diverter, 2 ways - ref. 48M2 and 3 ways - ref. 49M3

RELATED SKU'S

- Ref. G00-48M2SOA Wall mounted 3-way diverter with ceramic cartridge for concealed installation- 1 inlet 3/4" and 2 outlets 1/2" without stop position, without trim
- Ref. G00-48M2SPSA Wall mounted 3-way diverter with ceramic cartridge for concealed installation, 1 inlet 3/4" and 2 outlets 1/2" with stop position, without trim
- Ref. G00-49M3SPSA Wall mounted 4-way diverter with ceramic cartridge for concealed installation- 1 inlet 3/4" and 3 outlets 1/2" with stop position, without trim

AVAILABLE FINITIONS

Antique nickel - H28
Black ceram - D30
Blush PVD - H62
Brass color PVD - H49
Brown bronze color PVD - F33
Gold color PVD - H52

Graphite PVD - H64
Lacquered light bronze - D01
Matt Umber PVD - H67
Matt blush PVD - H60
Matt brass color PVD - H50
Matt brown bronze color PVD - F34

Matt chrome - C02
Matt gold - F07
Matt gold color PVD - H53
Matt graphite PVD - H65
Matt nickel (color finish) - C01
Matt nickel color PVD - H56

Nickel color PVD - H55
Polished chrome (color finish) - A02
Polished chrome / Polished gold (color finish) - G02
Polished gold (color finish) - F01
Polished nickel - B01
Soft gold - F30

Soft matt gold - F31
Umber PVD - H66
Varnished matt antique red copper (color finish) - H07