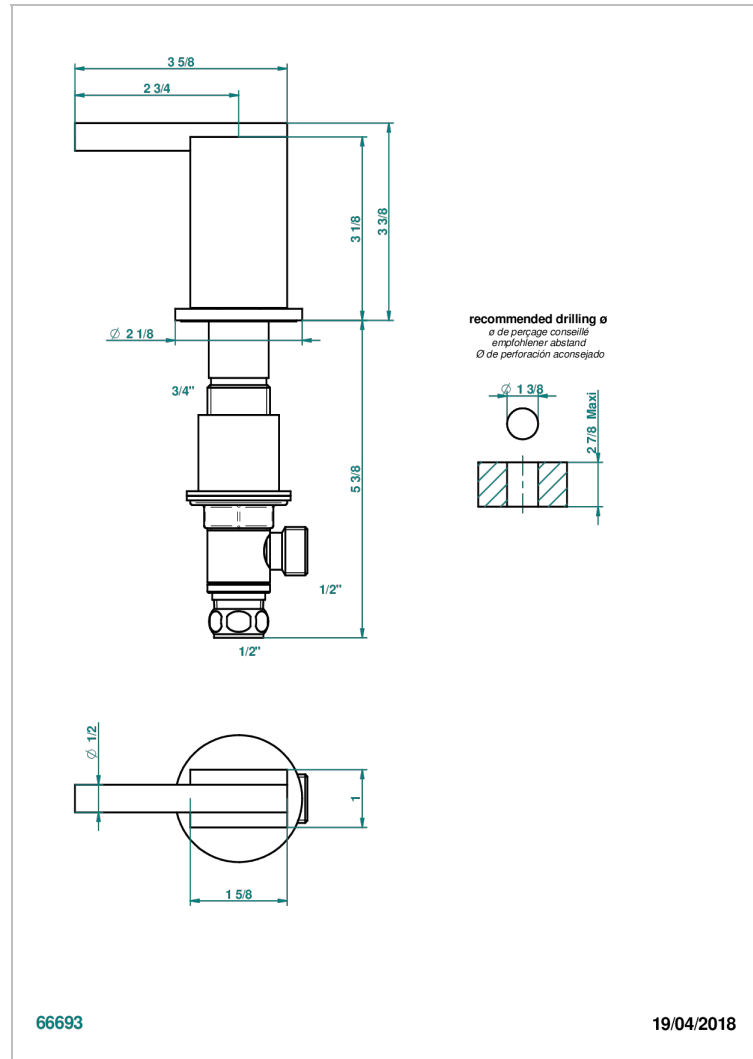


# MONTAIGNE VENUS WHITE MARBLE WITH LEVER HANDLES

G3W-35/H

Einbauventil zur Standmontage 1/2", warm



## EIGENSCHAFTEN

- Montaigne Venus white marble with lever handles
- Einbauventil zur Standmontage 1/2", warm

## VERFÜGBARE OBERFLÄCHEN

Altnickel - H28  
 Blassgold - F30  
 Blassgold matt unlackiert - F31  
 Bronze hell - D01  
 Chrom - A02  
 Chrom / gold - G02

Chrom matt - C02  
 Gold - F01  
 Gold matt - F07  
 Kupfer altrot matt lackiert - H07  
 Mattschwarz keramik - D30  
 Nickel matt - C01

Pvd blush - H62  
 Pvd blush matt - H60  
 Pvd bronze braun - F33  
 Pvd bronze braun matt - F34  
 Pvd gold - H52  
 Pvd gold matt - H53

Pvd graphite - H64  
 Pvd graphite matt - H65  
 Pvd messing - H49  
 Pvd messing matt - H50  
 Pvd nickel - H55  
 Pvd nickel matt - H56

Pvd umber - H66  
 Pvd umber matt - H67  
 Silbernichel - B01