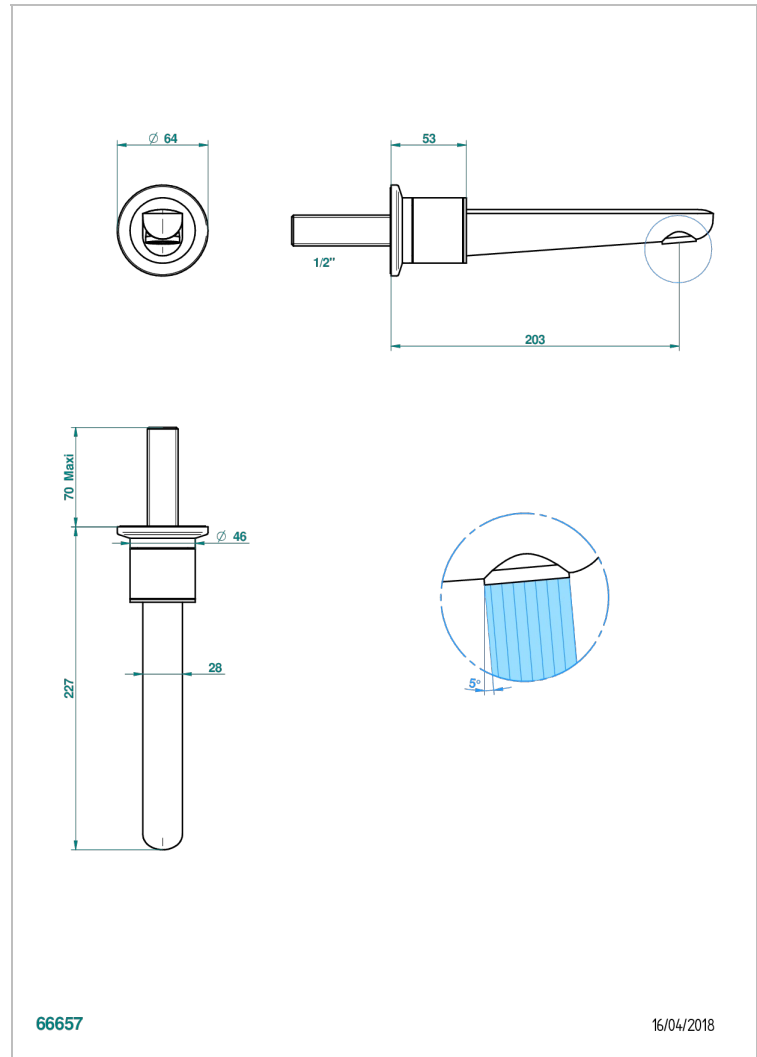


SYSTEM SMOOTH METAL WITH LEVER

G9B-22GAB

Wall mounted basin, goliath spout, 1/2" , without T junction

THG[®]
PARIS



EIGENSCHAFTEN

- System Smooth Metal with lever
- Wall mounted basin, goliath spout, 1/2" , without T junction

TECHNISCHE DATEN

- Recommandé : 3 bars (max. 5 bars) - Advised : 43,5 psi (max. 72 psi)
- 15 l/min à 3 bars (4 gpm at 43.5 psi)

ÄHNLICHE PRODUKTE

- Ref. G00-309/B Frei fließender Ablauf mit Gitter für Waschbecken
- Ref. G00-309/S Geruchsverschluss
- Ref. G00-316 Runder Waschtischablauf CLIC-CLAC
- Ref. G00-308T Adjustable bottle trap, mini 45 mm - maxi 90 mm with 300 mm overflow pipe

VERFÜGBARE OBERFLÄCHEN

Altnickel - H28
Blassgold - F30
Blassgold matt unlackiert - F31
Bronze hell - D01
Chrom - A02
Chrom matt - C02

Gold - F01
Gold matt - F07
Kupfer altrot matt lackiert - H07
Mattschwarz keramik - D30
Nickel matt - C01
Polished chrome with gold inlay - GA1

Pvd blush - H62
Pvd blush matt - H60
Pvd bronze braun - F33
Pvd bronze braun matt - F34
Pvd gold - H52
Pvd gold matt - H53

Pvd graphite - H64
Pvd graphite matt - H65
Pvd bronze braun - H49
Pvd messing matt - H50
Pvd nickel - H55
Pvd nickel matt - H56

Pvd umber - H66
Pvd umber matt - H67
Silbernichel - B01