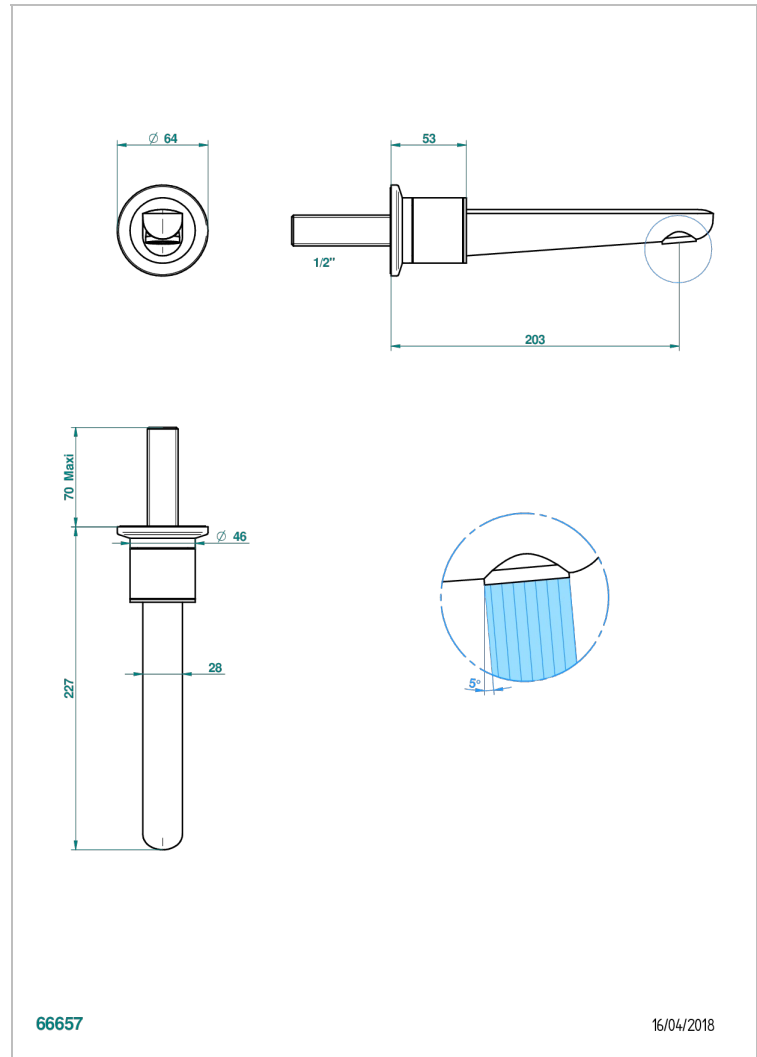


SYSTEM SMOOTH METAL WITH LEVER

G9B-22GAB

Wall mounted basin, goliath spout, 1/2" , without T junction

THG[®]
PARIS



66657

16/04/2018

特色

- System Smooth Metal with lever
- Wall mounted basin, goliath spout, 1/2" , without T junction

技术特征

- Recommandé : 3 bars (max. 5 bars) - Advised : 43,5 psi (max. 72 psi)
- 15 l/min à 3 bars (4 gpm at 43.5 psi)

相关的SKU

- Ref. G00-309/B 台盆下水器排水口，无溢流孔
- Ref. G00-309/S 下水管
- Ref. G00-316 键入式台盆下水器，欧洲款
- Ref. G00-308T Adjustable bottle trap, mini 45 mm - maxi 90 mm with 300 mm overflow pipe

可选饰面

Black ceram - D30
Blush PVD - H62
Graphite PVD - H64
Matt Umber PVD - H67
Matt blush PVD - H60
Matt graphite PVD - H65

PVD哑光棕铜 - F34
PVD哑光金 - H53
PVD哑光铜 - H50
PVD哑光镍 - H56
PVD抛光铜 - H49
PVD棕铜 - F33

PVD金色 - H52
PVD镍 - H55
Polished chrome with gold inlay - GA1
Umber PVD - H66
哑光复古铜 - H07
哑光浅金 - F31

哑光金 - F07
哑光铬 - C02
哑光镍 - C01
复古镍 - H28
抛光金 (24K金) - F01
抛光铬 - A02

抛光镍 - B01
浅金 - F30
漆面铜 - D01