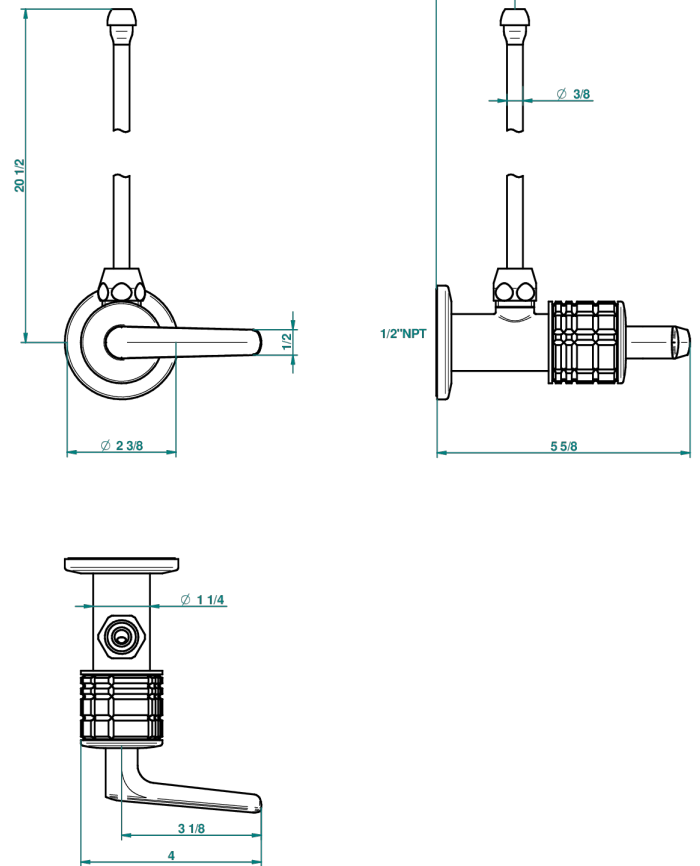
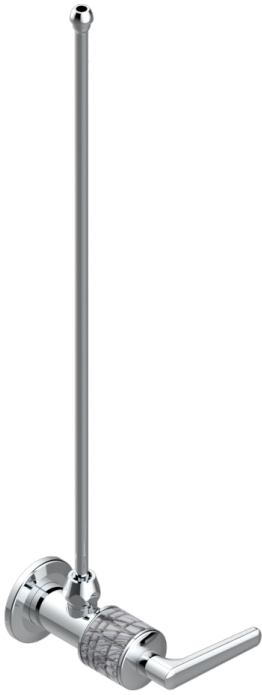


# SYSTEM HOWLITE WITH LEVER

G9H-181/SLA

Angle valve with 3/8 supply lavatory quick adaptor set

THG<sup>®</sup>  
PARIS



66601

10/04/2018

## CARACTERÍSTICAS

- System Howlite with lever
- Angle valve with 3/8 supply lavatory quick adaptor set

## ACABADOS DISPONIBLES

Bronce claro - D01  
Cerámica negra mate - D30  
Cobre viejo mate - H07  
Cromo - A02  
Cromo mate - C02  
Dorado - F01

Dorado mate - F07  
Dorado pálido - F30  
Dorado pálido mate (sin barniz) - F31  
Níquel - B01  
Níquel mate - C01  
Níquel viejo - H28

Pvd blush - H62  
Pvd blush mate - H60  
Pvd color latón - H49  
Pvd color latón mate - H50  
Pvd color níquel - H55  
Pvd color níquel mate - H56

Pvd color oro - H52  
Pvd color oro mate - H53  
Pvd grafito - H64  
Pvd grafito mate - H65  
Pvd marrón bronce - F33  
Pvd marrón bronce mate - F34

Pvd umber - H66  
Pvd umber mate - H67