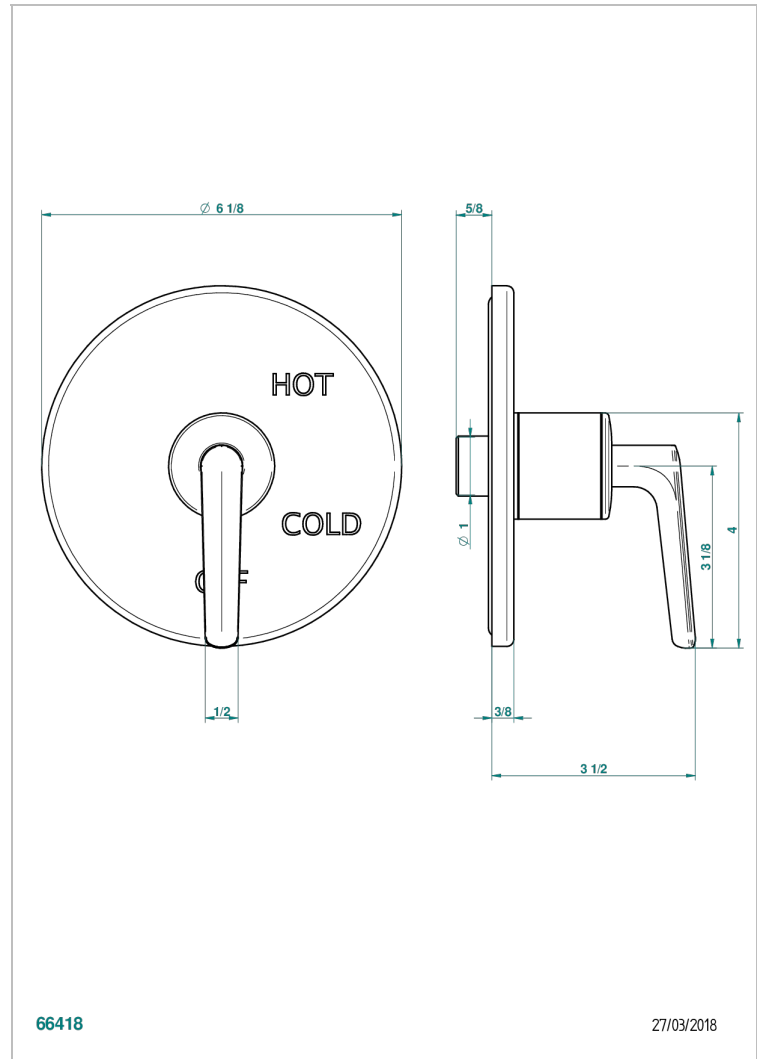


BONDI WITH LEVER HANDLES

G7G-320B

Trim for pressure balance valve

THG[®]
PARIS



CHARACTERISTIC

- Bondi with lever handles
- Trim for pressure balance valve

RELATED SKU'S

- Ref. G00-320A 1/2 " Pressure balance valve

AVAILABLE FINITIONS

Black ceram - D30

Blush PVD - H62

Brass color PVD - H49

Brown bronze color PVD - F33

Chrome polished - A02

Chrome polished / gold polished - G02

Gold color PVD - H52

Gold mat - F07

Gold polished - F01

Graphite PVD - H64

Light coated bronze - D01

Matt Umber PVD - H67

Matt blush PVD - H60

Matt brass color PVD - H50

Matt brown bronze color PVD - F34

Matt chrome (American satin) - C02

Matt gold color PVD - H53

Matt graphite PVD - H65

Matt nickel (American satin) - C01

Matt nickel color PVD - H56

Natural smoked Brass - A13

Nickel antique / Sovereign - H28

Nickel color PVD - H55

Nickel polished - B01

Soft gold - F30

Soft matt gold - F31

Umber PVD - H66