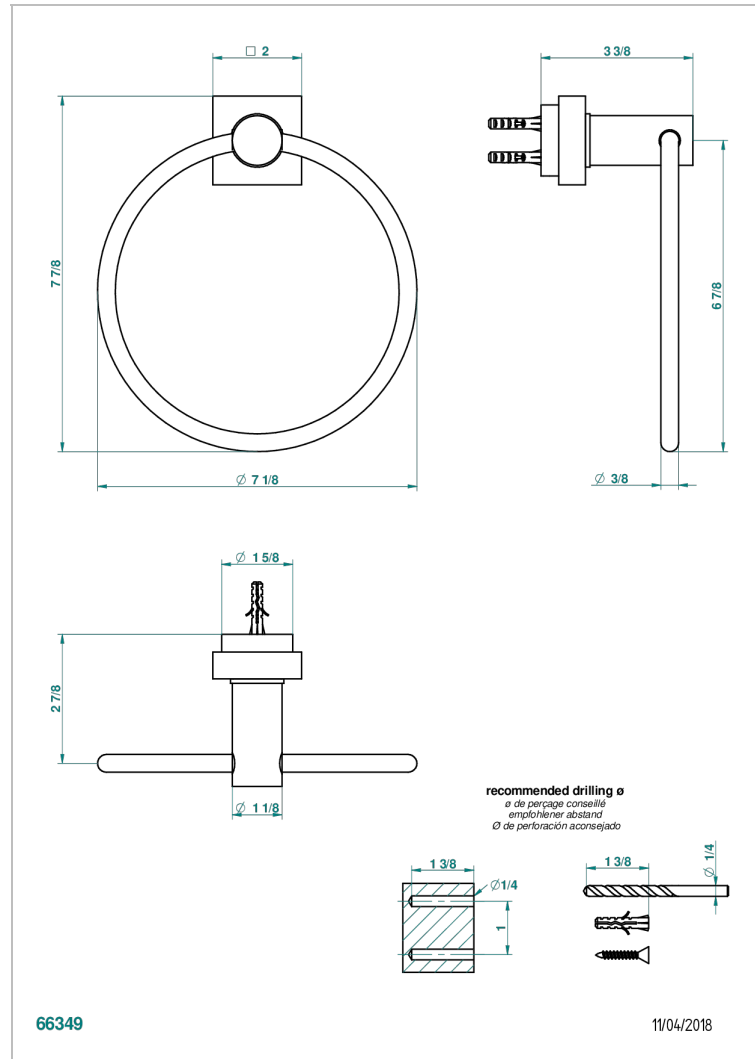


MONTAIGNE GRAND ANTIQUE MARBLE WITH LEVER

G3S-504N

Handtuchring



EIGENSCHAFTEN

- Montaigne Grand Antique marble with lever
- Handtuchring

VERFÜGBARE OBERFLÄCHEN

Altnickel - H28
 Blassgold - F30
 Blassgold matt unlackiert - F31
 Bronze hell - D01
 Chrom - A02
 Chrom / gold - G02

Chrom matt - C02
 Gold - F01
 Gold matt - F07
 Kupfer altrot matt lackiert - H07
 Mattschwarz keramik - D30
 Nickel matt - C01

Pvd blush - H62
 Pvd blush matt - H60
 Pvd bronze braun - F33
 Pvd bronze braun matt - F34
 Pvd gold - H52
 Pvd gold matt - H53

Pvd graphite - H64
 Pvd graphite matt - H65
 Pvd messing - H49
 Pvd messing matt - H50
 Pvd nickel - H55
 Pvd nickel matt - H56

Pvd umber - H66
 Pvd umber matt - H67
 Silbernichel - B01