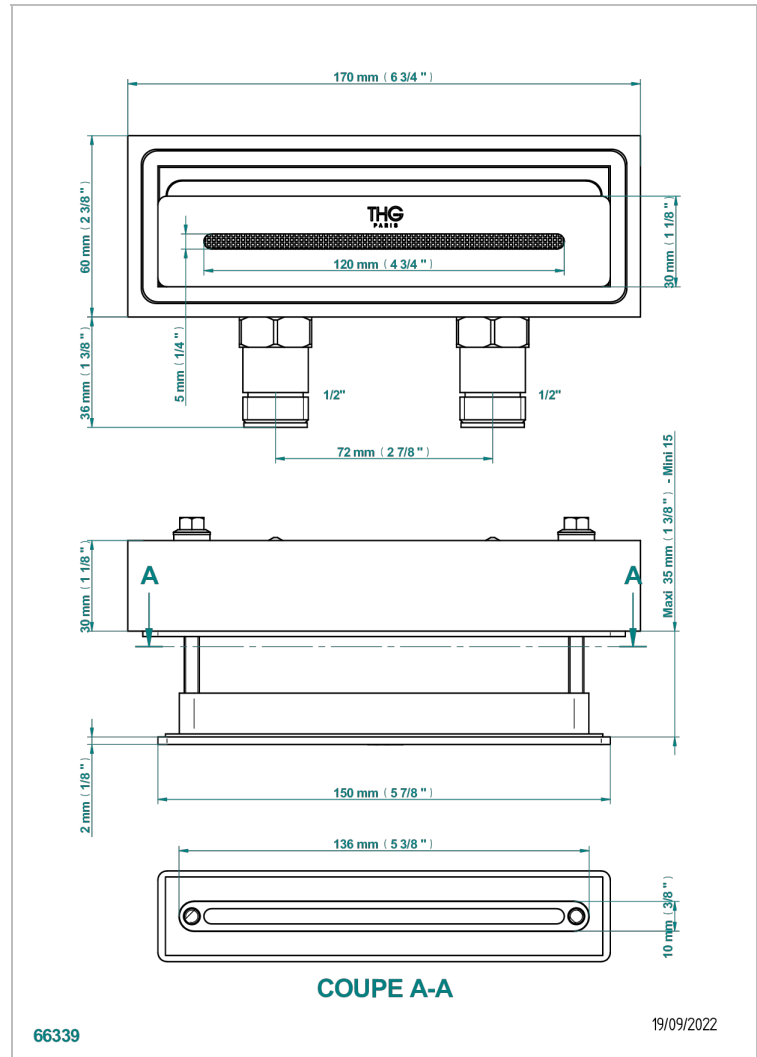


ACCESSOIRES

B16-K111

Filling system by water blade

THG[®]
PARIS



EIGENSCHAFTEN

- Accessoires
- Filling system by water blade

VERFÜGBARE OBERFLÄCHEN

Chrom - A02
Pvd blush - H62
Pvd blush matt - H60
Pvd bronze braun - F33
Pvd bronze braun matt - F34
Pvd gold - H52

Pvd graphite - H64
Pvd graphite matt - H65
Pvd messing - H49
Pvd messing matt - H50
Pvd nickel - H55
Pvd nickel matt - H56

Pvd umber - H66
Pvd umber matt - H67