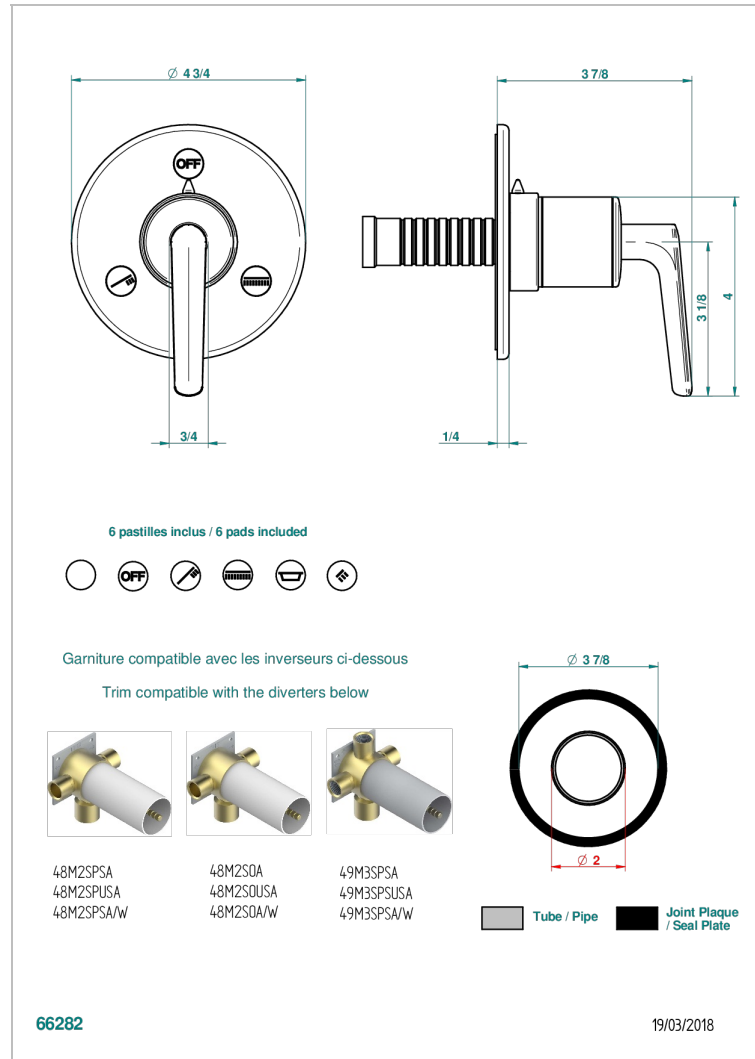


# BONDI WITH LEVER

G7G-48M2SB

Trim for wall mounted diverter, 2 ways - ref. 48M2 and 3 ways - ref. 49M3



## CHARACTERISTIC

- Bondi with lever
- Trim for wall mounted diverter, 2 ways - ref. 48M2 and 3 ways - ref. 49M3

## RELATED SKU'S

- Ref. G00-48M2SOA Wall mounted 3-way diverter with ceramic cartridge for concealed installation- 1 inlet 3/4" and 2 outlets 1/2" without stop position, without trim
- Ref. G00-48M2SPSA Wall mounted 3-way diverter with ceramic cartridge for concealed installation, 1 inlet 3/4" and 2 outlets 1/2" with stop position, without trim
- Ref. G00-49M3SPSA Wall mounted 4-way diverter with ceramic cartridge for concealed installation- 1 inlet 3/4" and 3 outlets 1/2" with stop position, without trim

## AVAILABLE FINITIONS

Antique nickel - H28  
Black ceram - D30  
Blush PVD - H62  
Brass color PVD - H49  
Brown bronze color PVD - F33  
Gold color PVD - H52

Graphite PVD - H64  
Lacquered light bronze - D01  
Matt Umber PVD - H67  
Matt blush PVD - H60  
Matt brass color PVD - H50  
Matt brown bronze color PVD - F34

Matt chrome - C02  
Matt gold - F07  
Matt gold color PVD - H53  
Matt graphite PVD - H65  
Matt nickel (color finish) - C01  
Matt nickel color PVD - H56

Natural smoked Brass - A13  
Nickel color PVD - H55  
Polished chrome (color finish) - A02  
Polished chrome / Polished gold (color finish) - G02  
Polished gold (color finish) - F01  
Polished nickel - B01

Soft gold - F30  
Soft matt gold - F31  
Umber PVD - H66