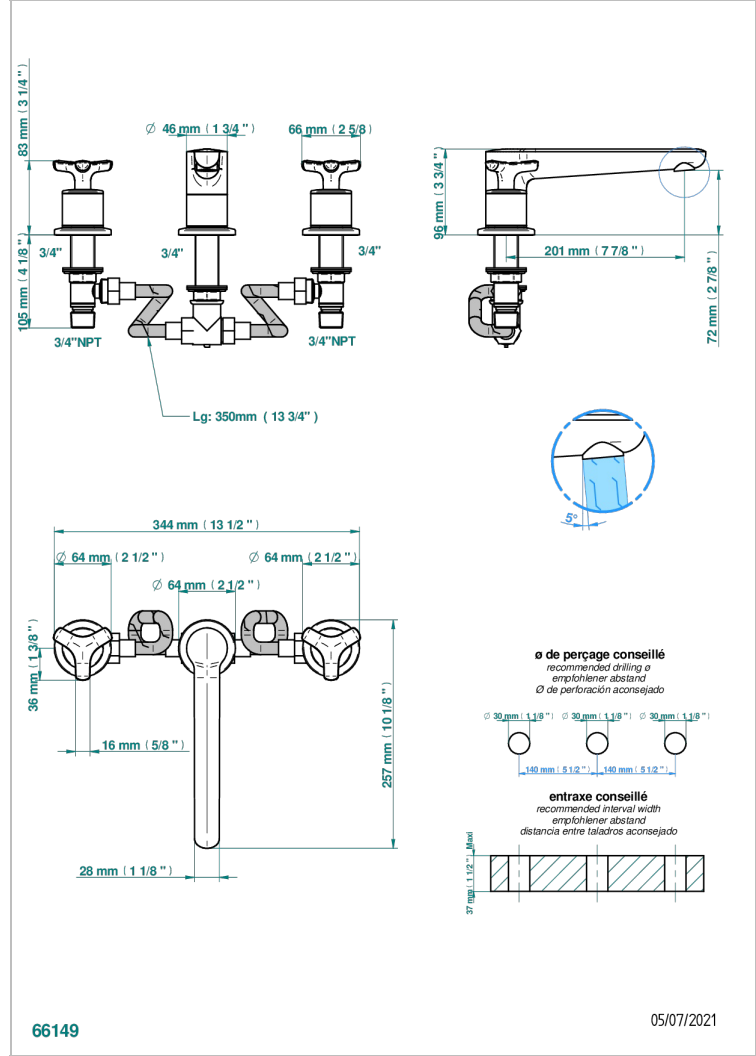


SYSTEM SMOOTH METAL

G9A-25US

Roman tub set with 3/4" valves



66149

05/07/2021

CHARACTERISTIC

- ASME : ASME A112.18.1-2011/CSA B125.1-11

STANDARDS



AVAILABLE FINITIONS

- Black ceram - D30
- Blush PVD - H62
- Brass color PVD - H49
- Brown bronze color PVD - F33
- Chrome polished - A02
- Copper antique matt, coated - H07

- Gold color PVD - H52
- Gold mat - F07
- Gold polished - F01
- Graphite PVD - H64
- Light coated bronze - D01
- Matt Umber PVD - H67

- Matt blush PVD - H60
- Matt brass color PVD - H50
- Matt brown bronze color PVD - F34
- Matt chrome (American satin) - C02
- Matt gold color PVD - H53
- Matt graphite PVD - H65

- Matt nickel (American satin) - C01
- Matt nickel color PVD - H56
- Nickel antique / Sovereign - H28
- Nickel color PVD - H55
- Nickel polished - B01
- Polished chrome with gold inlay - GA1

- Soft gold - F30
- Soft matt gold - F31
- Umber PVD - H66