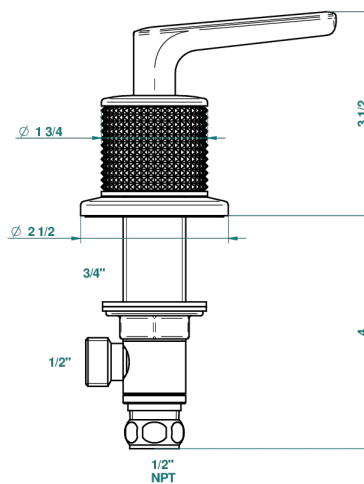


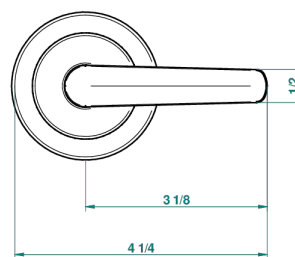
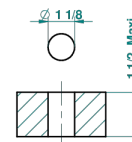
SYSTEM DIAMOND METAL WITH LEVER HANDLES

G9D-35/CUS

1/2" deck valve with trim for lavatory - Cold



recommended drilling ø
ø de perçage conseillé
empfohlener abstand
Ø de perforación aconsejado



66009

22/02/2018

CHARACTERISTIC

- System Diamond Metal with lever handles
- 1/2" deck valve with trim for lavatory - Cold

AVAILABLE FINITIONS

Black ceram - D30
Blush PVD - H62
Brass color PVD - H49
Brown bronze color PVD - F33
Chrome polished - A02
Copper antique matt, coated - H07

Gold color PVD - H52
Gold mat - F07
Gold polished - F01
Graphite PVD - H64
Light coated bronze - D01
Matt Umber PVD - H67

Matt blush PVD - H60
Matt brass color PVD - H50
Matt brown bronze color PVD - F34
Matt chrome (American satin) - C02
Matt gold color PVD - H53
Matt graphite PVD - H65

Matt nickel (American satin) - C01
Matt nickel color PVD - H56
Nickel antique / Sovereign - H28
Nickel color PVD - H55
Nickel polished - B01
Polished chrome with gold inlay - GA1

Soft gold - F30
Soft matt gold - F31
Umber PVD - H66