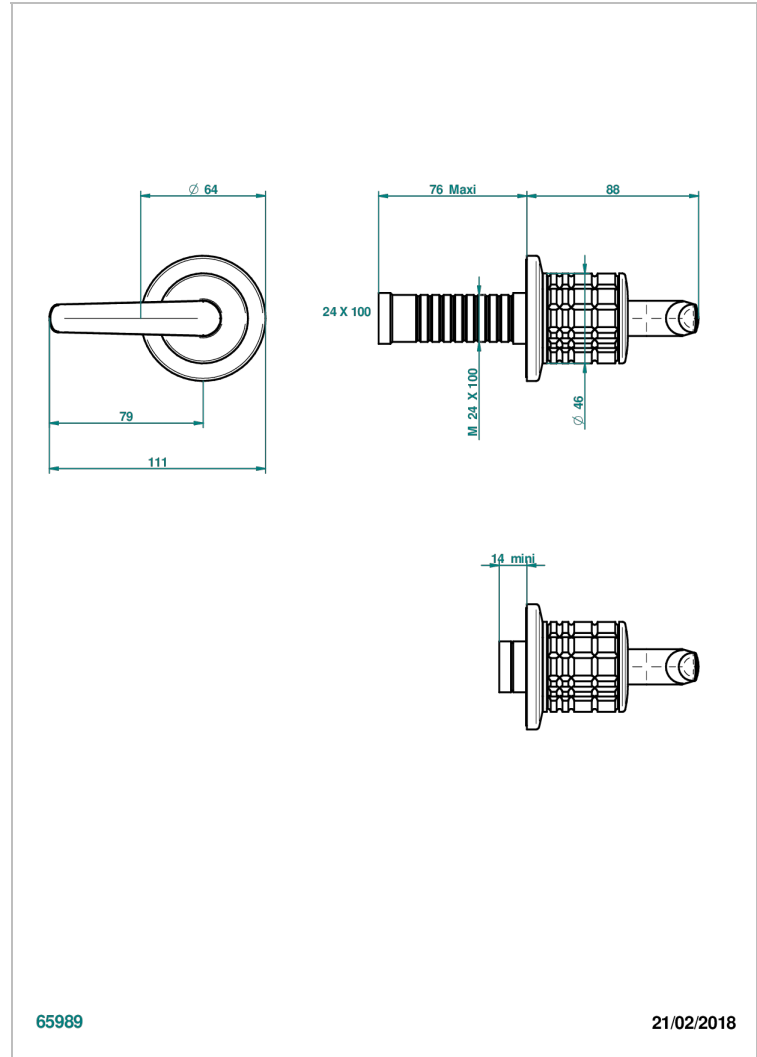


SYSTEM HOWLITE WITH LEVER HANDLES

G9H-30B

Wall volume control 30 & 32 trim

THG[®]
PARIS



65989

21/02/2018

CHARACTERISTIC

- System Howlite with lever handles
- Wall volume control 30 & 32 trim

RELATED SKU'S

- Ref. G00-32CUSA 3/4" Volume control wall valve with ceramic cartridge
- Ref. G00-32HUSA 3/4" Volume control wall valve with ceramic cartridge counterclockwise
- Ref. G00-30CUSA 1/2" volume control wall valve with ceramic cartridge
- Ref. G00-30HUSA 1/2" Volume control wall valve with ceramic cartridge counterclockwise

AVAILABLE FINITIONS

Black ceram - D30
Blush PVD - H62
Brass color PVD - H49
Brown bronze color PVD - F33
Chrome polished - A02
Copper antique matt, coated - H07

Gold color PVD - H52
Gold mat - F07
Gold polished - F01
Graphite PVD - H64
Light coated bronze - D01
Matt Umber PVD - H67

Matt blush PVD - H60
Matt brass color PVD - H50
Matt brown bronze color PVD - F34
Matt chrome (American satin) - C02
Matt gold color PVD - H53
Matt graphite PVD - H65

Matt nickel (American satin) - C01
Matt nickel color PVD - H56
Nickel antique / Sovereign - H28
Nickel color PVD - H55
Nickel polished - B01
Soft gold - F30

Soft matt gold - F31
Umber PVD - H66