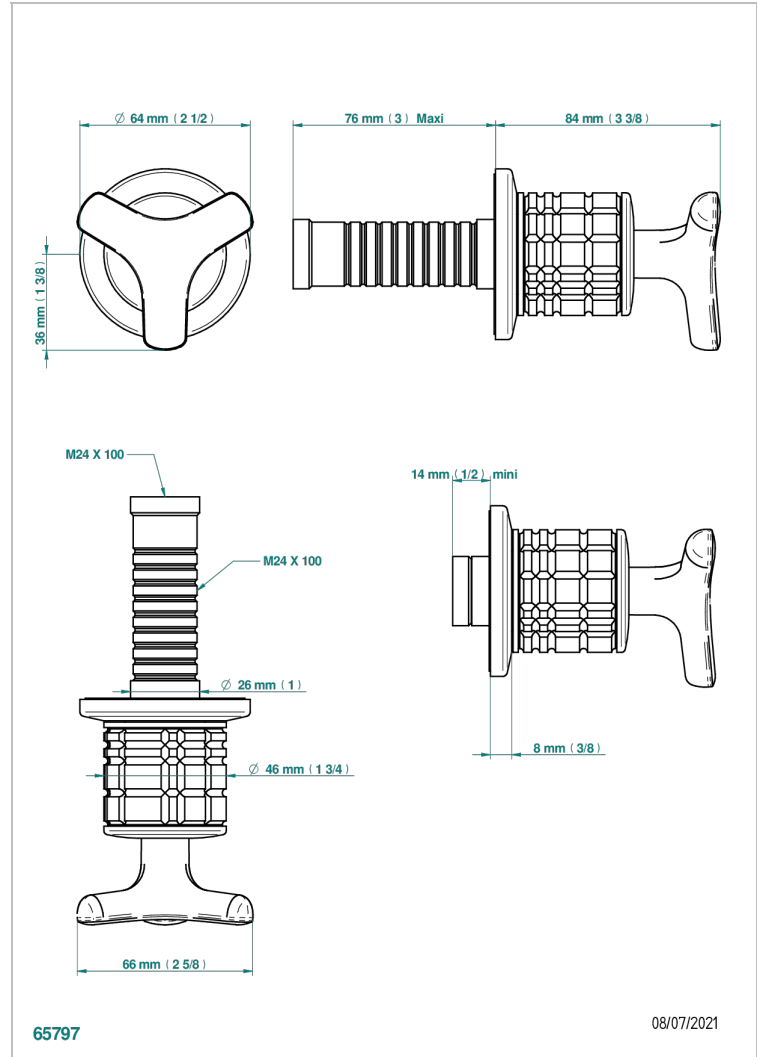


# SYSTEM HOWLITE

G9G-30B

Wall volume control 30 & 32 trim

THG<sup>®</sup>  
PARIS



## CHARACTERISTIC

- System Howlite
- Wall volume control 30 & 32 trim

## RELATED SKU'S

- Ref. G00-32CUSA 3/4" Volume control wall valve with ceramic cartridge
- Ref. G00-32HUSA 3/4" Volume control wall valve with ceramic cartridge counterclockwise
- Ref. G00-30CUSA 1/2" volume control wall valve with ceramic cartridge
- Ref. G00-30HUSA 1/2" Volume control wall valve with ceramic cartridge counterclockwise

## AVAILABLE FINITIONS

Black ceram - D30  
Blush PVD - H62  
Brass color PVD - H49  
Brown bronze color PVD - F33  
Chrome polished - A02  
Copper antique matt, coated - H07

Gold color PVD - H52  
Gold mat - F07  
Gold polished - F01  
Graphite PVD - H64  
Light coated bronze - D01  
Matt Umber PVD - H67

Matt blush PVD - H60  
Matt brass color PVD - H50  
Matt brown bronze color PVD - F34  
Matt chrome (American satin) - C02  
Matt gold color PVD - H53  
Matt graphite PVD - H65

Matt nickel (American satin) - C01  
Matt nickel color PVD - H56  
Nickel antique / Sovereign - H28  
Nickel color PVD - H55  
Nickel polished - B01  
Soft gold - F30

Soft matt gold - F31  
Umber PVD - H66