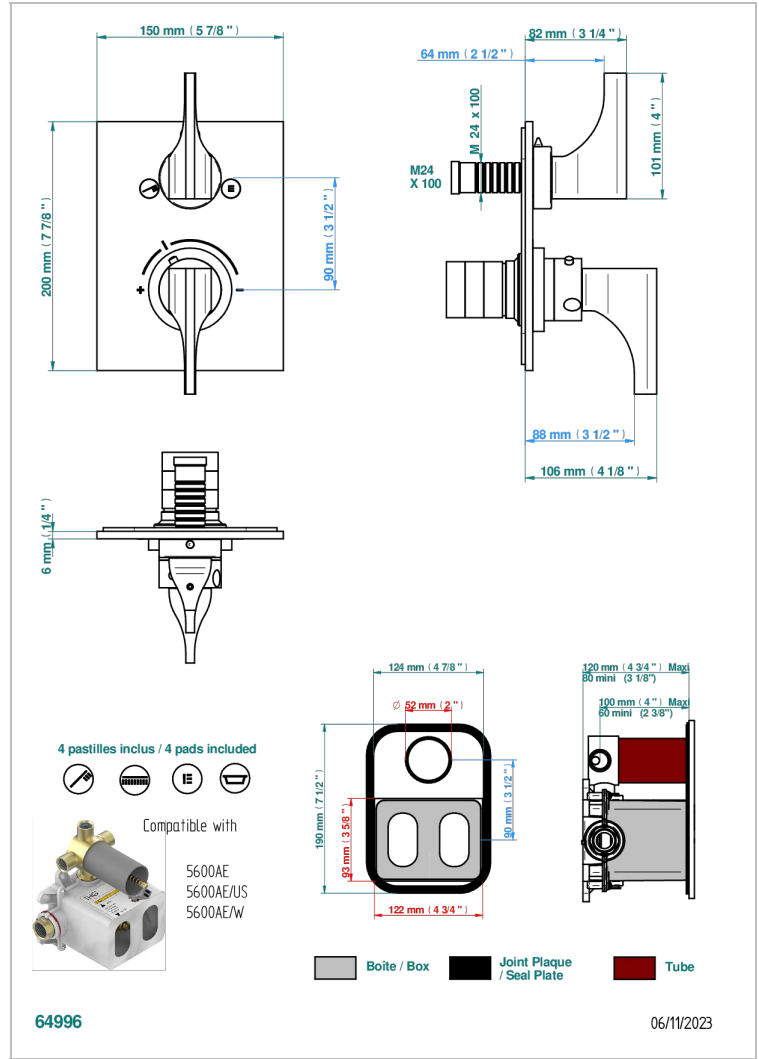
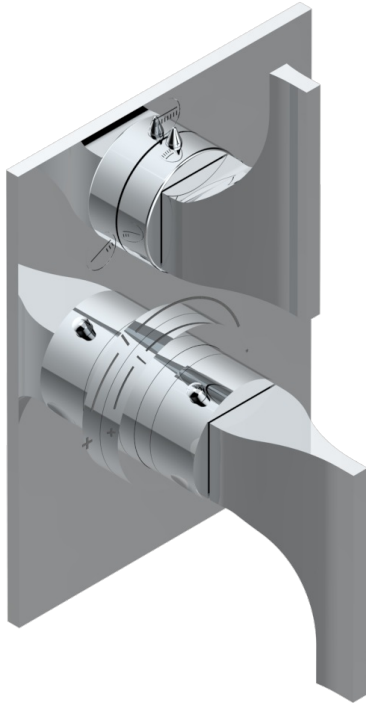


Trim for THG thermostat with stop valve and 3-way diverter, rough part supplied with fixing box ref.5 600AE/US



CHARACTERISTIC

- Built-in thermostatic cover for 5600AE - 5600AE/US - 5600AE/W with 3 no.1/2" outputs (stop function between each position)
- Requires concealed thermostat Ref 5600AE - 5600AE/US - 56500AE/W
- For Shower 3 functions - non simultaneous -
- Temperature control knob with security stop at 38°C
- Solid brass plate and knob
- ASME : ASME A112.18.1-2011/CSA B125.1-11
- DVGW : DW-6512CQ0608

STANDARDS



RELATED SKU'S

- Ref. G00-5100G Reinforced stop ring for THG thermostatic with fixing set
- Ref. G00-5600AE/US 3/4" THG thermostat with wax cartridge, with stop valve and 3 outlets (stop position between outlets), delivered with a built-in box, no trim

AVAILABLE FINITIONS

- | | | | | |
|---------------------------------------|-----------------------------------|------------------------------------|------------------------------------|----------------------|
| Black ceram - D30 | Copper antique matt, coated - H07 | Matt Umber PVD - H67 | Matt graphite PVD - H65 | Soft gold - F30 |
| Blush PVD - H62 | Gold color PVD - H52 | Matt blush PVD - H60 | Matt nickel (American satin) - C01 | Soft matt gold - F31 |
| Brass color PVD - H49 | Gold mat - F07 | Matt brass color PVD - H50 | Matt nickel color PVD - H56 | Umber PVD - H66 |
| Brown bronze color PVD - F33 | Gold polished - F01 | Matt brown bronze color PVD - F34 | Nickel antique / Sovereign - H28 | |
| Chrome polished - A02 | Graphite PVD - H64 | Matt chrome (American satin) - C02 | Nickel color PVD - H55 | |
| Chrome polished / gold polished - G02 | Light coated bronze - D01 | Matt gold color PVD - H53 | Nickel polished - B01 | |