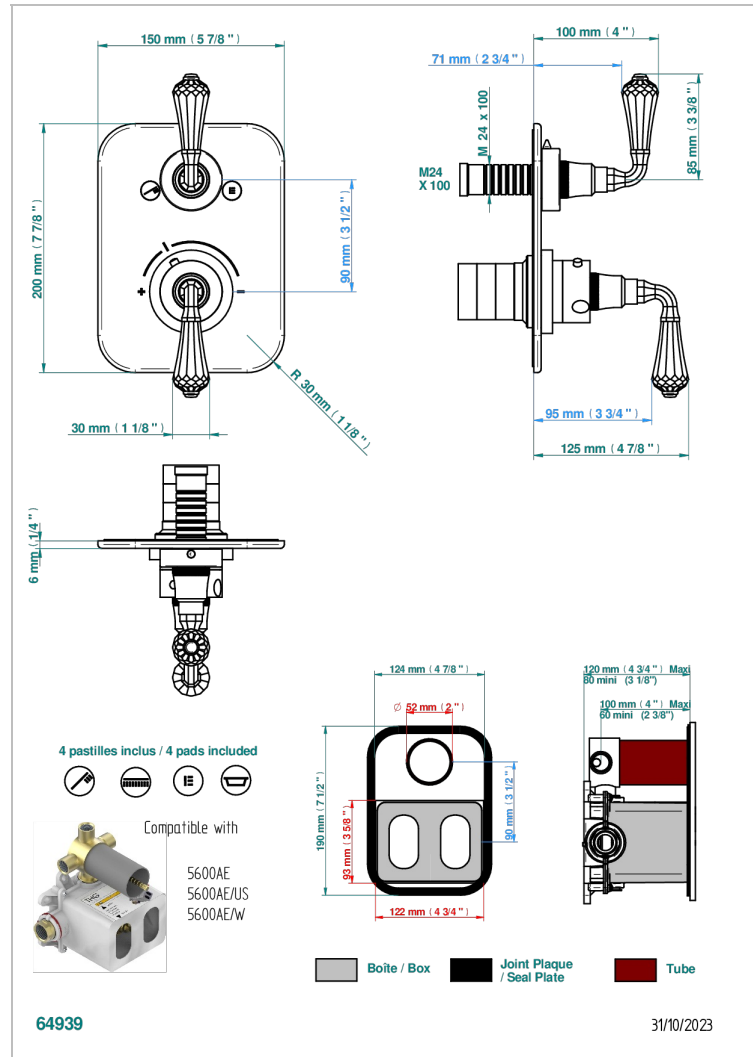
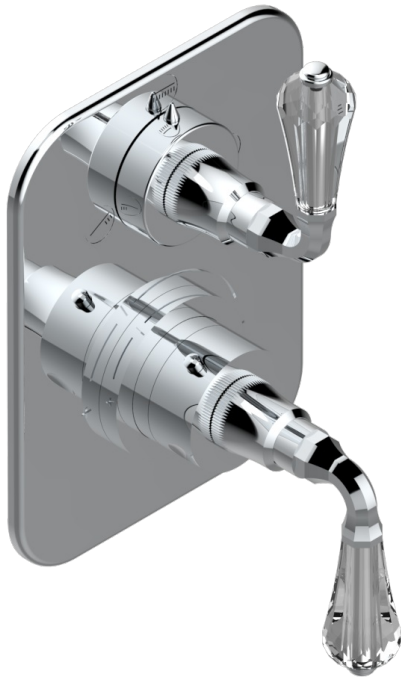


# ART DECO CRYSTAL

A56-5600BE

THG  
PARIS

Trim for THG thermostat with stop valve and 3-way diverter, rough part supplied with fixing box ref.5 600AE/US



## CHARACTERISTIC

- Built-in thermostatic cover for 5600AE - 5600AE/US - 5600AE/W with 3 no.1/2" outputs (stop function between each position)
- Requires concealed thermostat Ref 5600AE - 5600AE/US - 56500AE/W
- For Shower 3 functions - non simultaneous -
- Temperature control knob with security stop at 38°C
- Solid brass plate and knob
- ASME : ASME A112.18.1-2011/CSA B125.1-11
- DVGW : DW-6512CQ0608

## STANDARDS



## RELATED SKU'S

- Ref. G00-5100G Reinforced stop ring for THG thermostatic with fixing set
- Ref. G00-5600AE/US 3/4" THG thermostat with wax cartridge, with stop valve and 3 outlets (stop position between outlets), delivered with a built-in box, no trim

## AVAILABLE FINITIONS

Black ceram - D30  
Blush PVD - H62  
Brass color PVD - H49  
Brown bronze color PVD - F33  
Chrome polished - A02  
Chrome polished / gold polished - G02

Copper antique matt, coated - H07  
Gold color PVD - H52  
Gold mat - F07  
Gold polished - F01  
Graphite PVD - H64  
Light coated bronze - D01

Matt Umber PVD - H67  
Matt blush PVD - H60  
Matt brass color PVD - H50  
Matt brown bronze color PVD - F34  
Matt chrome (American satin) - C02  
Matt gold color PVD - H53

Matt graphite PVD - H65  
Matt nickel (American satin) - C01  
Matt nickel color PVD - H56  
Natural smoked Brass - A13  
Nickel antique / Sovereign - H28  
Nickel color PVD - H55

Nickel polished - B01  
Soft gold - F30  
Soft matt gold - F31  
Umber PVD - H66