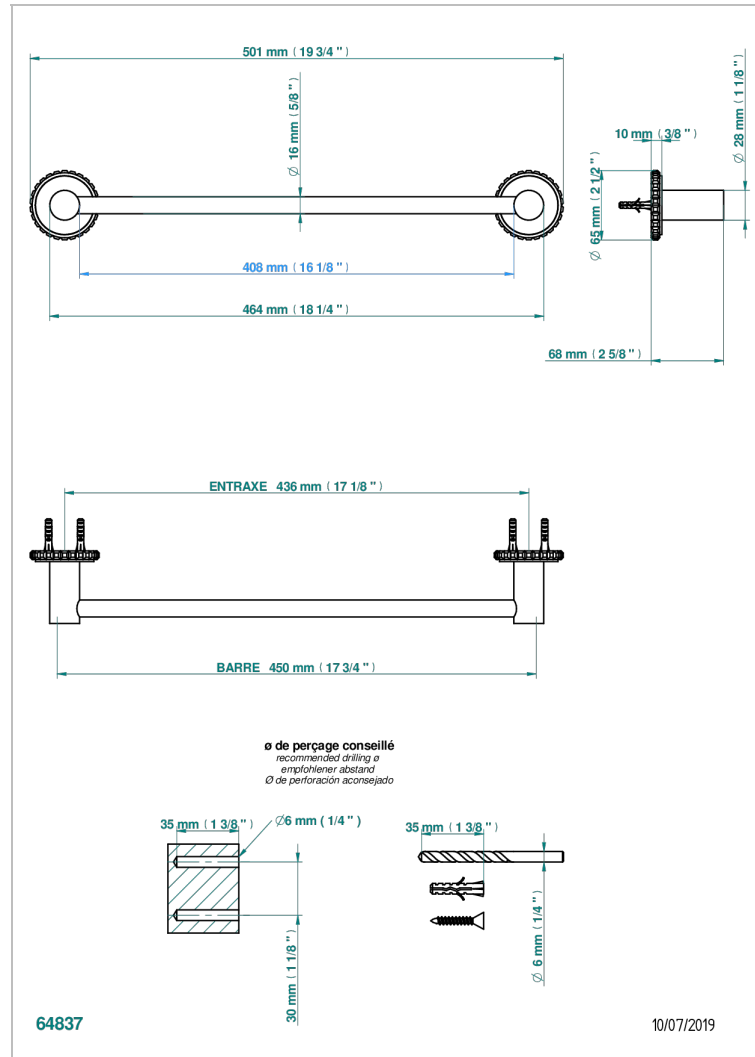


SYSTEM HOWLITE WITH LEVER

G9H-514/45

Single towel rail, fixed rail, length: 450 mm

THG[®]
PARIS



CARACTERÍSTICAS

- System Howlite with lever
- Single towel rail, fixed rail, length: 450 mm

ACABADOS DISPONIBLES

Bronce claro - D01
Cerámica negra mate - D30
Cobre viejo mate - H07
Cromo - A02
Cromo mate - C02
Dorado - F01

Dorado mate - F07
Dorado pálido - F30
Dorado pálido mate (sin barniz) - F31
Níquel - B01
Níquel mate - C01
Níquel viejo - H28

Pvd blush - H62
Pvd blush mate - H60
Pvd color latón - H49
Pvd color latón mate - H50
Pvd color níquel - H55
Pvd color níquel mate - H56

Pvd color oro - H52
Pvd color oro mate - H53
Pvd grafito - H64
Pvd grafito mate - H65
Pvd marrón bronce - F33
Pvd marrón bronce mate - F34

Pvd umber - H66
Pvd umber mate - H67