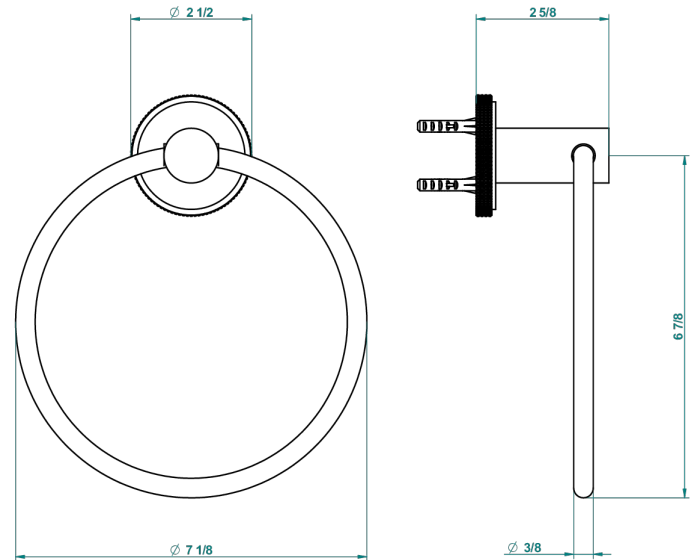


# SYSTEM DIAMOND METAL

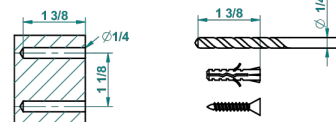
G9C-504N

Single towel ring

THG<sup>®</sup>  
PARIS



recommended drilling  $\varnothing$   
 *$\varnothing$  de perçage conseillé*  
*empfohlener Abstand*  
 *$\varnothing$  de perforación aconsejado*



64790

31/10/2017

## CHARACTERISTIC

- System Diamond Metal
- Single towel ring

## AVAILABLE FINITIONS

Antique nickel - H28  
Black ceram - D30  
Blush PVD - H62  
Brass color PVD - H49  
Brown bronze color PVD - F33  
Gold color PVD - H52

Graphite PVD - H64  
Lacquered light bronze - D01  
Matt Umber PVD - H67  
Matt blush PVD - H60  
Matt brass color PVD - H50  
Matt brown bronze color PVD - F34

Matt chrome - C02  
Matt gold - F07  
Matt gold color PVD - H53  
Matt graphite PVD - H65  
Matt nickel (color finish) - C01  
Matt nickel color PVD - H56

Nickel color PVD - H55  
Polished chrome (color finish) - A02  
Polished chrome with gold inlay - GA1  
Polished gold (color finish) - F01  
Polished nickel - B01  
Soft gold - F30

Soft matt gold - F31  
Umber PVD - H66  
Varnished matt antique red copper  
(color finish) - H07