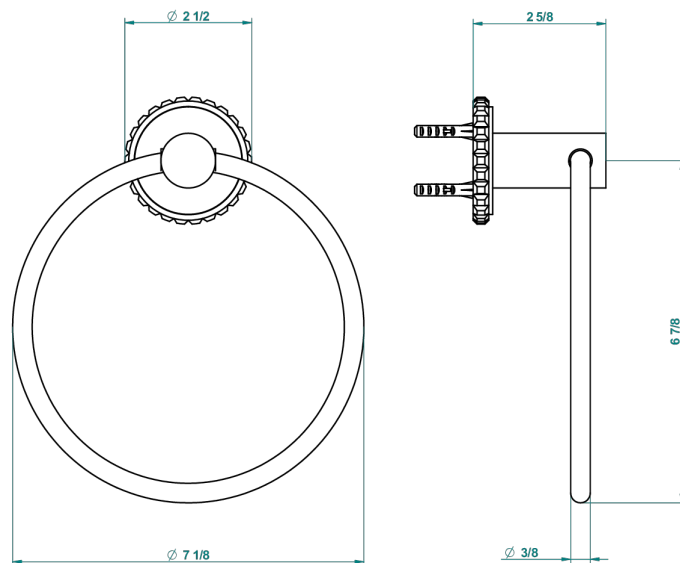


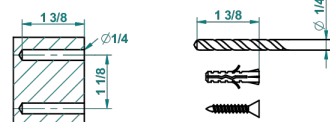
SYSTEM SQUARED METAL WITH LEVER

G9F-504N

毛巾环



recommended drilling ø
ø de perçage conseillé
empfohlener Abstand
Ø de perforación aconsejado



64789

31/10/2017

特色

- System Squared Metal with lever
- 毛巾环

可选饰面

Black ceram - D30
Blush PVD - H62
Graphite PVD - H64
Matt Umber PVD - H67
Matt blush PVD - H60
Matt graphite PVD - H65

PVD哑光棕铜 - F34
PVD哑光金 - H53
PVD哑光铜 - H50
PVD哑光镍 - H56
PVD抛光铜 - H49
PVD棕铜 - F33

PVD金色 - H52
PVD镍 - H55
Polished chrome with gold inlay - GA1
Umber PVD - H66
哑光复古铜 - H07
哑光浅金 - F31

哑光金 - F07
哑光铬 - C02
哑光镍 - C01
复古镍 - H28
抛光金 (24K金) - F01
抛光铬 - A02

抛光镍 - B01
浅金 - F30
漆面铜 - D01