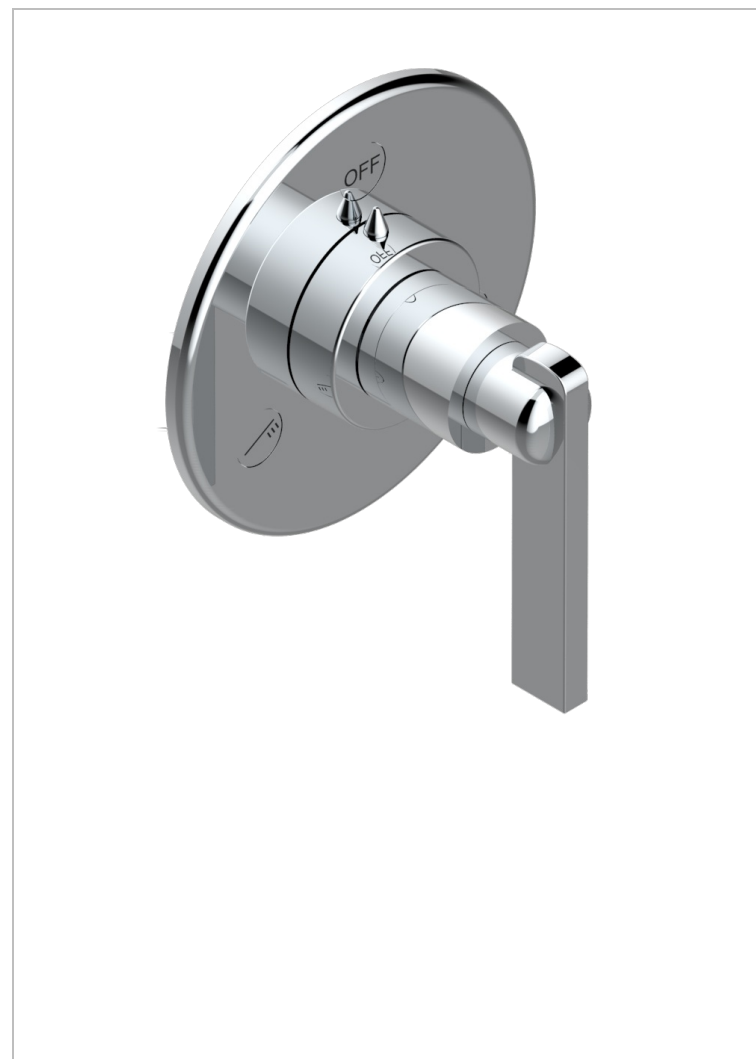


# LE 11 WITH LEVER HANDLES

U2B-48M2SB

Trim for wall mounted diverter - 2 ways ref.48M2 & 3 ways ref.49M3



6 pastilles inclus / 6 pads included

Garniture compatible avec les inverseurs ci-dessous  
Trim compatible with the diverters below

48M2SPSA 48M2SPUSA 48M2SPSA/W	48M2SOA 48M2SOUSA 48M2SOA/W	49M3SPSA 49M3SPSUSA 49M3SPSA/W

Legend:  Tube / Pipe     Joint Plaque / Seal Plate

64445 05/10/2020

## CHARACTERISTIC

- Le 11 with lever handles
- Trim for wall mounted diverter - 2 ways ref.48M2 & 3 ways ref.49M3

## RELATED SKU'S

- Ref. G00-48M2SOUSA Wall mounted 3-way diverter with ceramic cartridge for concealed installation- 1 inlet 3/4" and 2 outlets 1/2" without shared ports no stop position - no trim
- Ref. G00-48M2SPSUSA Wall mounted 3-way diverter with ceramic cartridge for concealed installation- 1 inlet 3/4" and 2 outlets 1/2" with positive top, no shared ports - no trim
- Ref. G00-49M3SPSUSA Wall mounted 4-way diverter with ceramic cartridge for concealed installation- 1 inlet 3/4" and 3 outlets 1/2" with positive top, no shared ports - no trim

## AVAILABLE FINITIONS

Black ceram - D30  
Blush PVD - H62  
Brass color PVD - H49  
Brown bronze color PVD - F33  
Chrome polished - A02  
Chrome polished / gold polished - G02

Copper antique matt, coated - H07  
Gold color PVD - H52  
Gold mat - F07  
Gold polished - F01  
Graphite PVD - H64  
Light coated bronze - D01

Matt Umber PVD - H67  
Matt blush PVD - H60  
Matt brass color PVD - H50  
Matt brown bronze color PVD - F34  
Matt chrome (American satin) - C02  
Matt gold color PVD - H53

Matt graphite PVD - H65  
Matt nickel (American satin) - C01  
Matt nickel color PVD - H56  
Nickel antique / Sovereign - H28  
Nickel color PVD - H55  
Nickel polished - B01

Soft gold - F30  
Soft matt gold - F31  
Umber PVD - H66