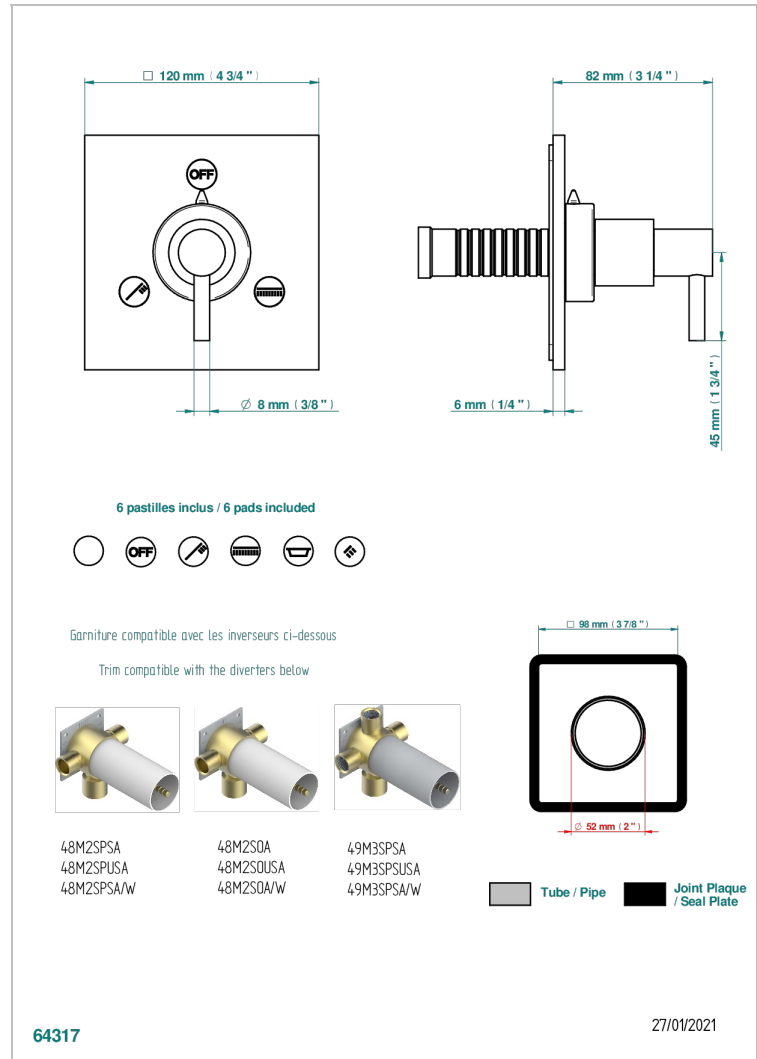
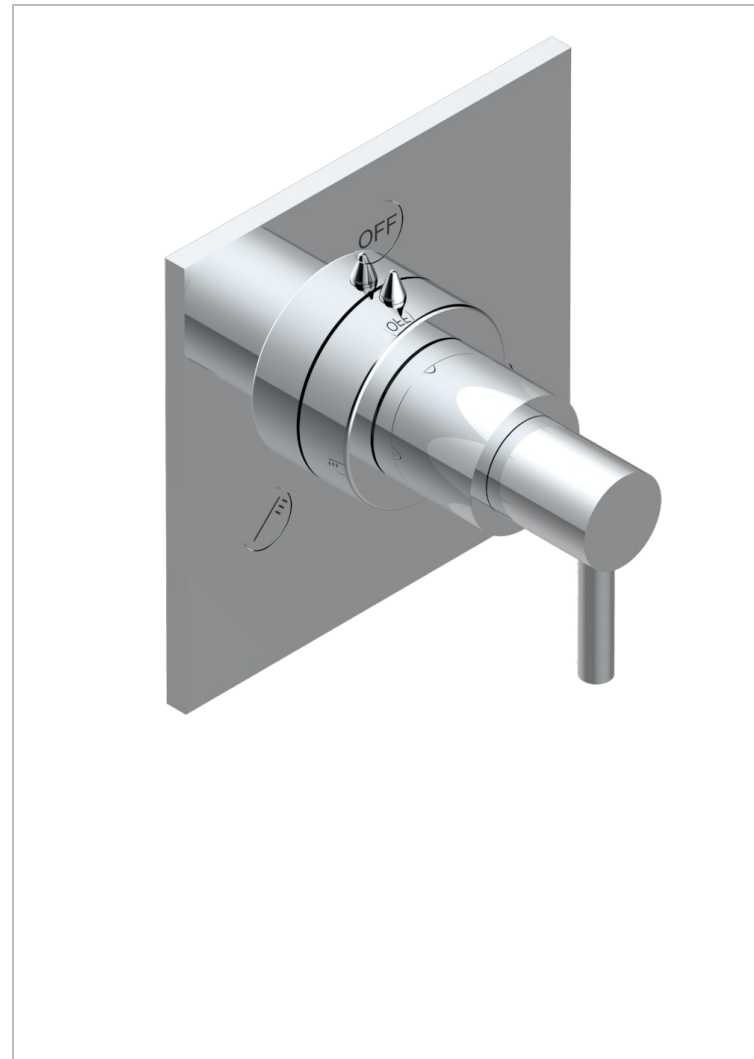


NANO WITH LEVER HANDLES

G5B-48M2SB

Trim for wall mounted diverter - 2 ways ref.48M2 & 3 ways ref.49M3



CHARACTERISTIC

- Nano with lever handles
- Trim for wall mounted diverter - 2 ways ref.48M2 & 3 ways ref.49M3

RELATED SKU'S

- Ref. G00-48M2SOUSA Wall mounted 3-way diverter with ceramic cartridge for concealed installation- 1 inlet 3/4" and 2 outlets 1/2" without shared ports no stop position - no trim
- Ref. G00-48M2SPSUSA Wall mounted 3-way diverter with ceramic cartridge for concealed installation- 1 inlet 3/4" and 2 outlets 1/2" with positive top, no shared ports - no trim
- Ref. G00-49M3SPSUSA Wall mounted 4-way diverter with ceramic cartridge for concealed installation- 1 inlet 3/4" and 3 outlets 1/2" with positive top, no shared ports - no trim

AVAILABLE FINITIONS

Black ceram - D30
 Chrome polished - A02
 Chrome polished / gold polished - G02
 Gold mat - F07
 Gold polished - F01
 Matt chrome (American satin) - CO2

Matt nickel (American satin) - C01
 Nickel antique / Sovereign - H28
 Nickel polished - B01
 Soft gold - F30
 Soft matt gold - F31