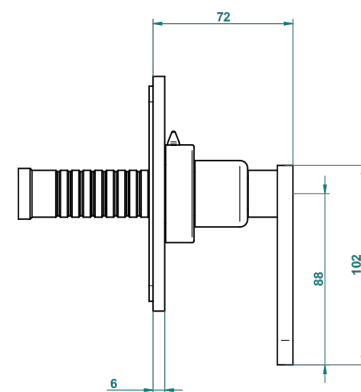
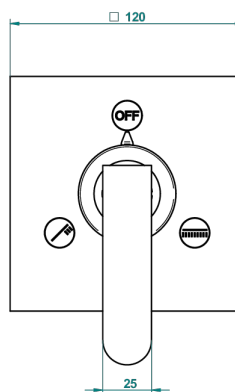
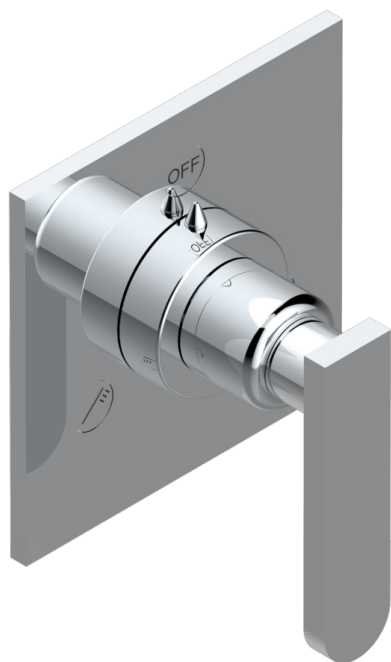


PROFIL METAL WITH LEVER HANDLES

A6B-48M2SB

Trim for wall mounted diverter - 2 ways ref.48M2 & 3 ways ref.49M3



6 pastilles inclus / 6 pads included



Garniture compatible avec les inverseurs ci-dessous

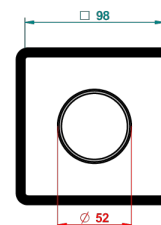
Trim compatible with the diverters below



48M2SPSA
48M2SPUSA
48M2SPSA/W

48M2S0A
48M2S0USA
48M2S0A/W

49M3SPSA
49M3SPUSA
49M3SPSA/W



Tube / Pipe Joint Plaque / Seal Plate

05/09/2017

CHARACTERISTIC

- Profil Metal with lever handles
- Trim for wall mounted diverter - 2 ways ref.48M2 & 3 ways ref.49M3

RELATED SKU'S

- Ref. G00-48M2SOUSA Wall mounted 3-way diverter with ceramic cartridge for concealed installation- 1 inlet 3/4" and 2 outlets 1/2" without shared ports no stop position - no trim
- Ref. G00-48M2SPSUSA Wall mounted 3-way diverter with ceramic cartridge for concealed installation- 1 inlet 3/4" and 2 outlets 1/2" with positive top, no shared ports - no trim
- Ref. G00-49M3SPSUSA Wall mounted 4-way diverter with ceramic cartridge for concealed installation- 1 inlet 3/4" and 3 outlets 1/2" with positive top, no shared ports - no trim

AVAILABLE FINITIONS

Black ceram - D30
Blush PVD - H62
Brass color PVD - H49
Brown bronze color PVD - F33
Chrome polished - A02
Chrome polished / gold polished - G02

Copper antique matt, coated - H07
Gold color PVD - H52
Gold mat - F07
Gold polished - F01
Graphite PVD - H64
Light coated bronze - D01

Matt Umber PVD - H67
Matt blush PVD - H60
Matt brass color PVD - H50
Matt brown bronze color PVD - F34
Matt chrome (American satin) - C02
Matt gold color PVD - H53

Matt graphite PVD - H65
Matt nickel (American satin) - C01
Matt nickel color PVD - H56
Nickel antique / Sovereign - H28
Nickel color PVD - H55
Nickel polished - B01

Soft gold - F30
Soft matt gold - F31
Umber PVD - H66