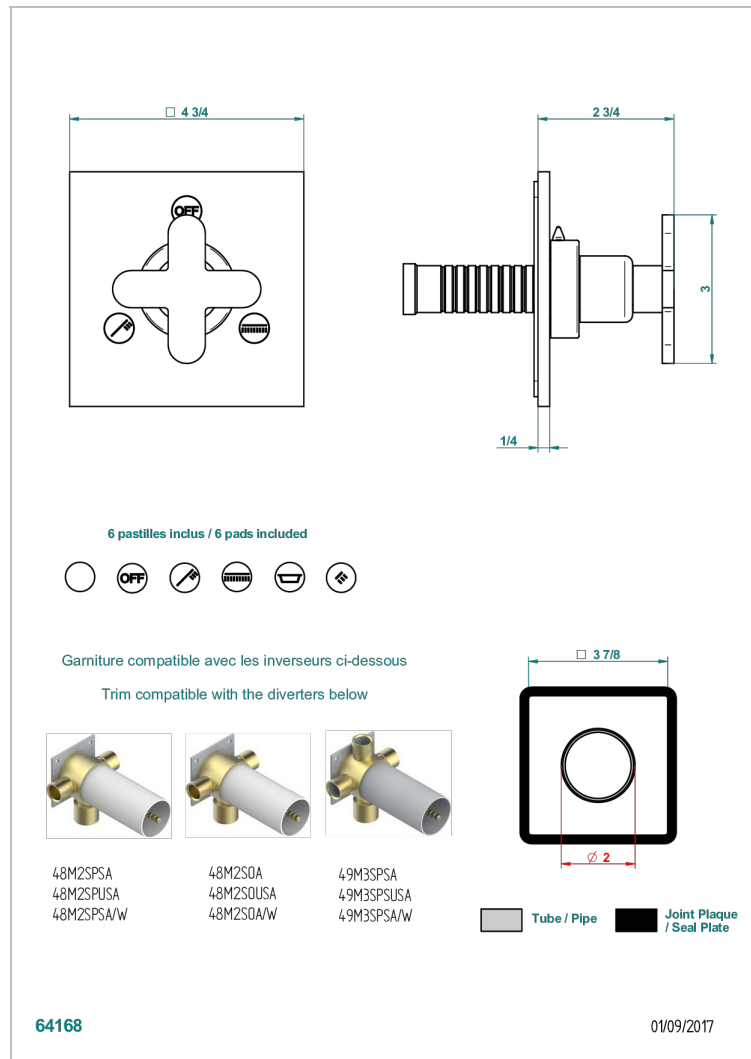
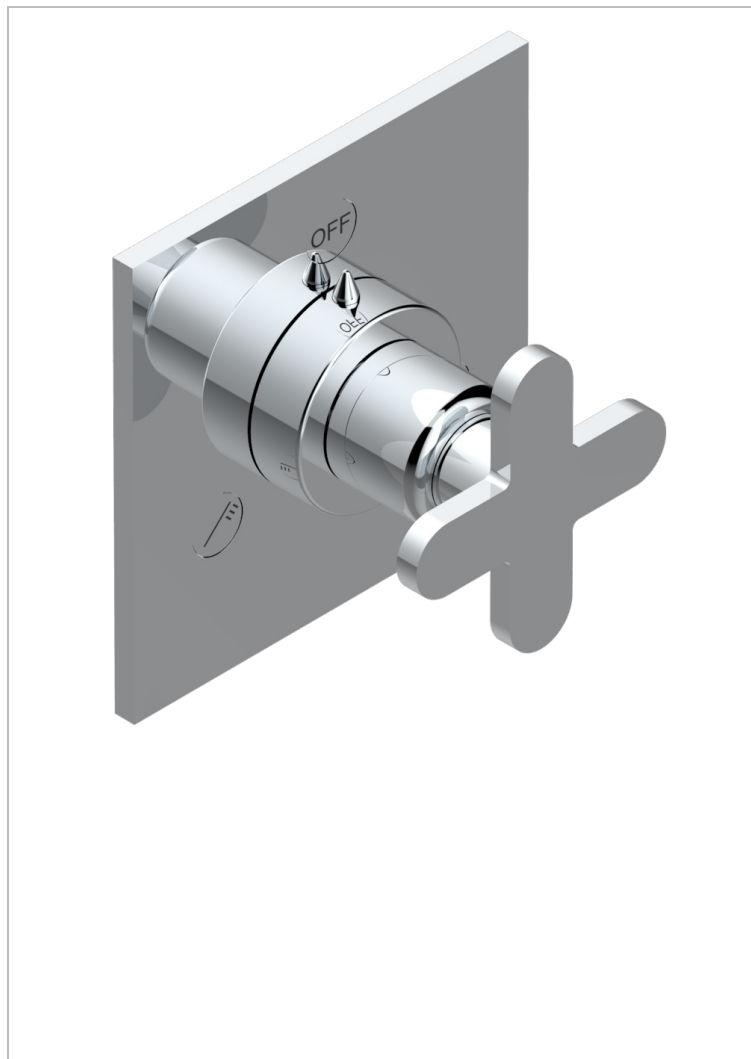


PROFIL METAL

A6A-48M2SB

Trim for wall mounted diverter, 2 ways - ref. 48M2 and 3 ways - ref. 49M3



CARACTERÍSTICAS

- Profil métal
- Trim for wall mounted diverter, 2 ways - ref. 48M2 and 3 ways - ref. 49M3

PRODUCTOS RELACIONADOS

- Ref. G00-48M2SOA Wall mounted 3-way diverter with ceramic cartridge for concealed installation- 1 inlet 3/4" and 2 outlets 1/2" without stop position, without trim
- Ref. G00-48M2SPSA Wall mounted 3-way diverter with ceramic cartridge for concealed installation, 1 inlet 3/4" and 2 outlets 1/2" with stop position, without trim
- Ref. G00-49M3SPSA Wall mounted 4-way diverter with ceramic cartridge for concealed installation- 1 inlet 3/4" and 3 outlets 1/2" with stop position, without trim

ACABADOS DISPONIBLES

Bronce claro - D01
Cerámica negra mate - D30
Cobre viejo mate - H07
Cromo - A02
Cromo / dorado - G02
Cromo mate - C02

Dorado - F01
Dorado mate - F07
Dorado pálido - F30
Dorado pálido mate (sin barniz) - F31
Níquel - B01
Níquel mate - C01

Níquel viejo - H28
Pvd blush - H62
Pvd blush mate - H60
Pvd color latón - H49
Pvd color latón mate - H50
Pvd color níquel - H55

Pvd color níquel mate - H56
Pvd color oro - H52
Pvd color oro mate - H53
Pvd grafito - H64
Pvd grafito mate - H65
Pvd marrón bronce - F33

Pvd marrón bronce mate - F34
Pvd umber - H66
Pvd umber mate - H67