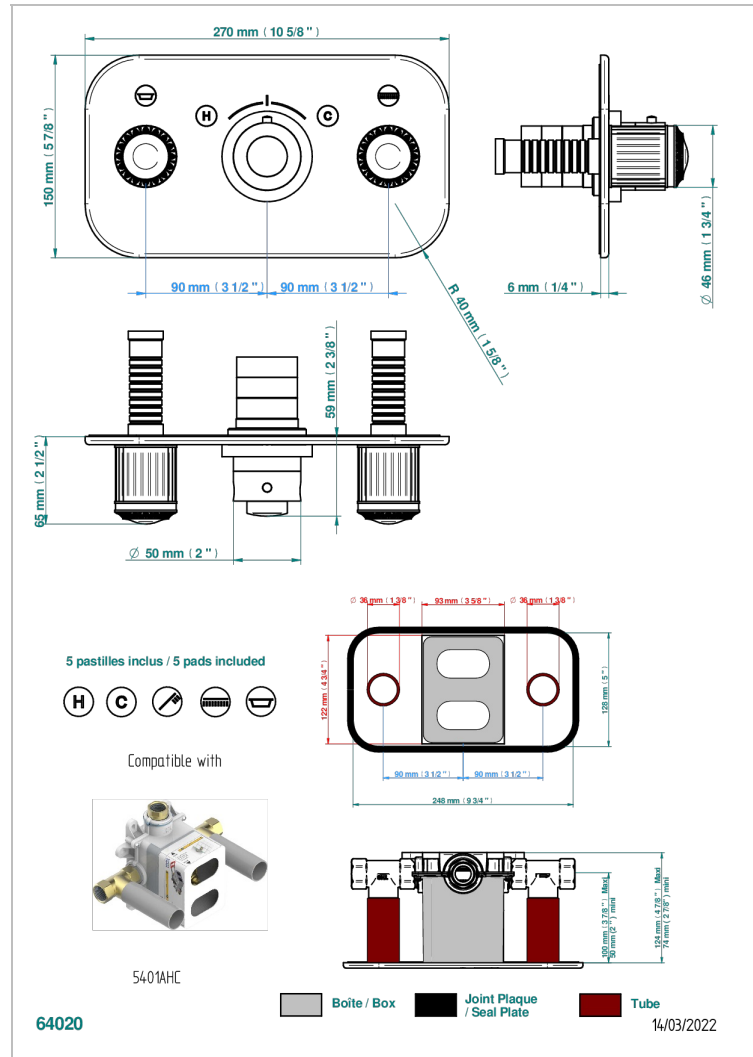
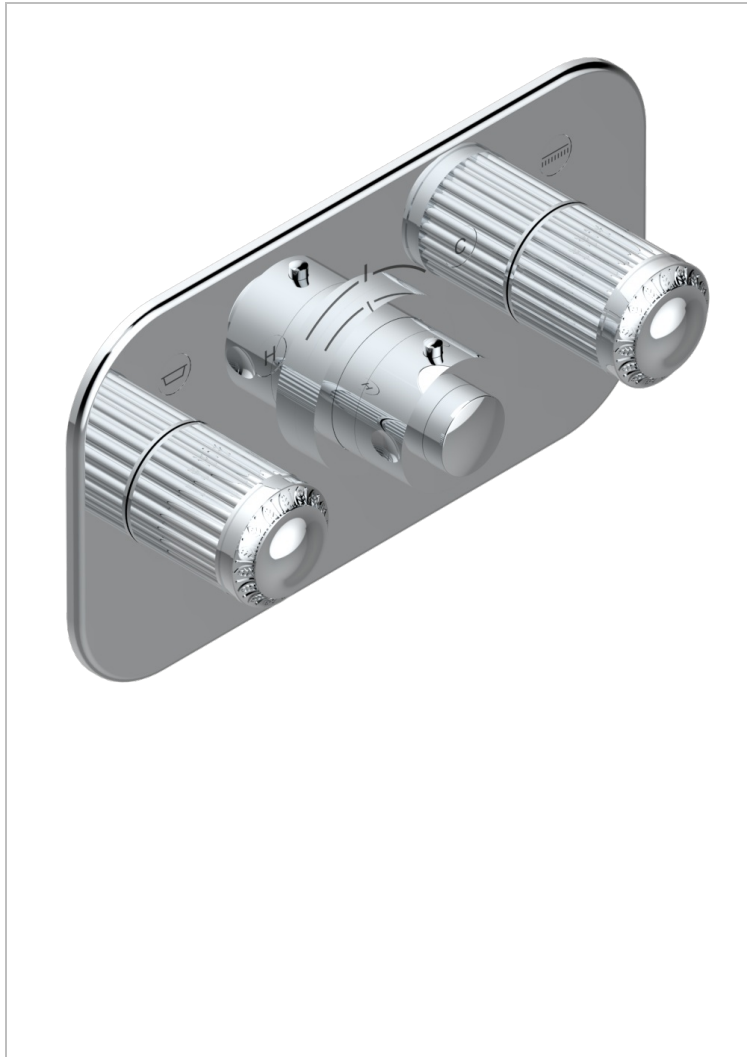


Trim for thermostatic mixer with 2 valves item to be installed horizontal . to adapt on 5 401AHC or 5 401AHM



### CARACTERÍSTICAS

- Malmaison metal
- Trim for thermostatic mixer with 2 valves item to be installed horizontal . to adapt on 5 401AHC or 5 401AHM

### ACABADOS DISPONIBLES

- |                           |                                       |                    |
|---------------------------|---------------------------------------|--------------------|
| Bronce claro - D01        | Dorado - F01                          | Niquel viejo - H28 |
| Cerámica negra mate - D30 | Dorado mate - F07                     |                    |
| Cobre viejo mate - H07    | Dorado pálido - F30                   |                    |
| Cromo - A02               | Dorado pálido mate (sin barniz) - F31 |                    |
| Cromo / dorado - G02      | Niquel - B01                          |                    |
| Cromo mate - C02          | Niquel mate - C01                     |                    |