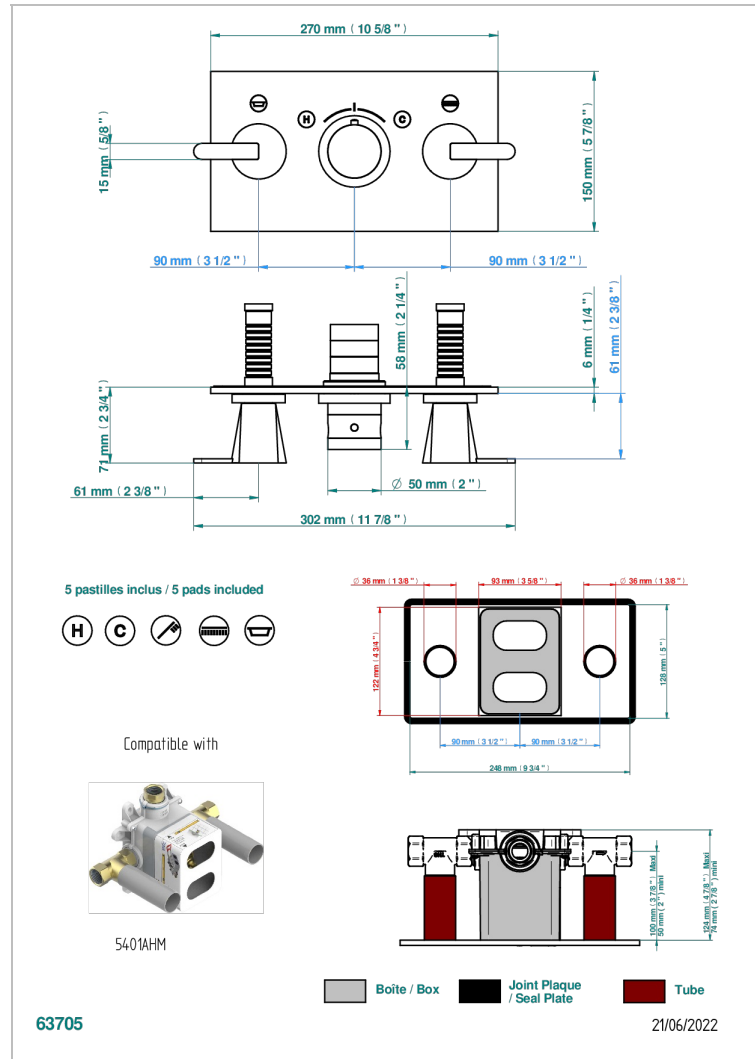
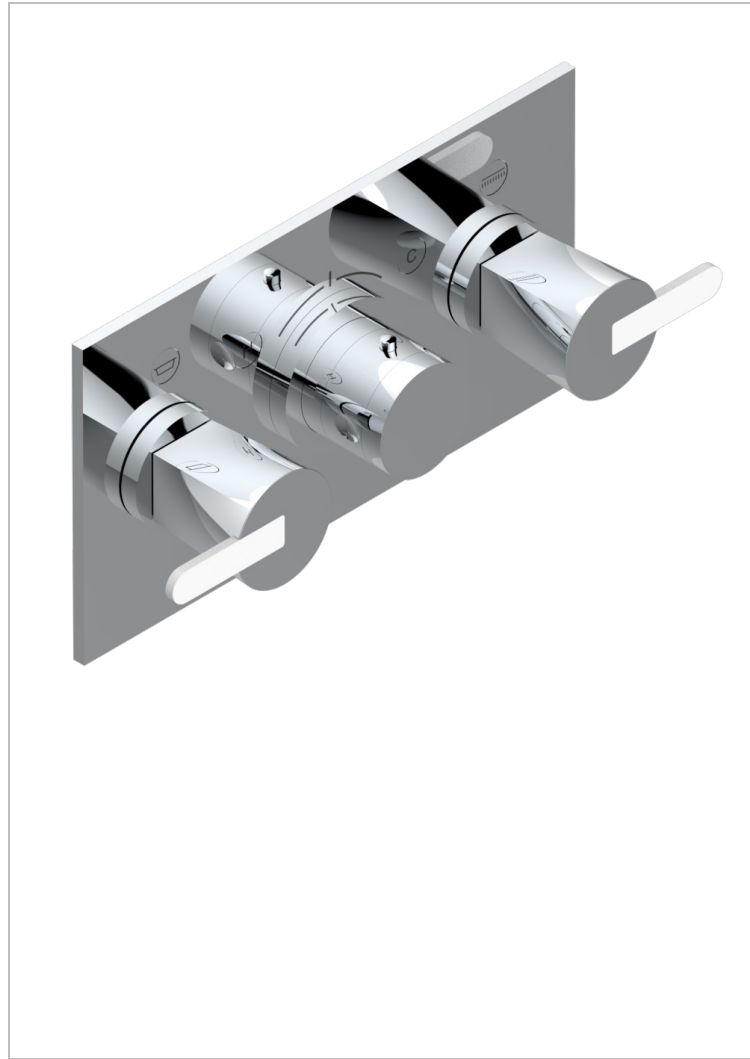


METAMORPHOSE, CERAMICA BLANCA

G6E-5401BEH

Trim for thermostatic mixer with 2 valves item to be installed horizontal . to adapt on 5 401AHC or 5 401AHM



CARACTERÍSTICAS

- Métamorphose, ceràmica blanca
- Trim for thermostatic mixer with 2 valves item to be installed horizontal . to adapt on 5 401AHC or 5 401AHM

ACABADOS DISPONIBLES

Bronce claro - D01
Ceràmica negra mate - D30
Cobre viejo mate - H07
Cromo - A02
Cromo mate - C02
Dorado - F01

Dorado mate - F07
Dorado pàlido - F30
Dorado pàlido mate (sin barniz) - F31
Niquel - B01
Niquel mate - C01
Niquel viejo - H28

Pvd blush - H62
Pvd blush mate - H60
Pvd color lat3n - H49
Pvd color lat3n mate - H50
Pvd color niquel - H55
Pvd color niquel mate - H56

Pvd color oro - H52
Pvd color oro mate - H53
Pvd grafito - H64
Pvd grafito mate - H65
Pvd marr3n bronce - F33
Pvd marr3n bronce mate - F34

Pvd umber - H66
Pvd umber mate - H67