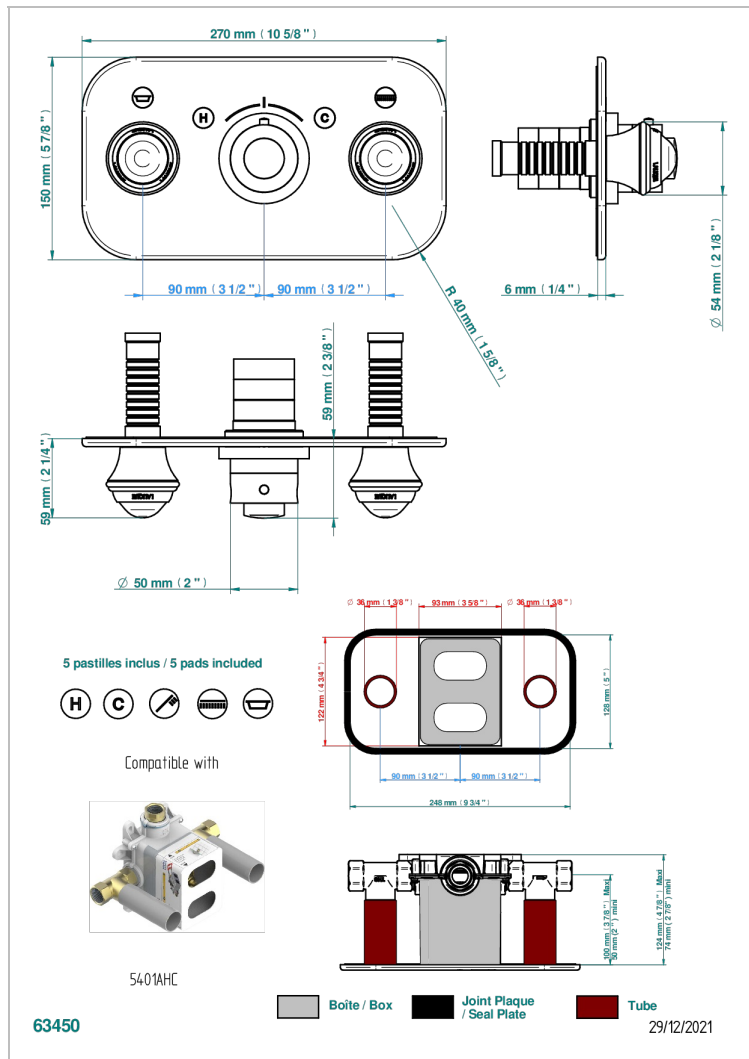


Trim for thermostatic mixer with 2 valves item to be installed horizontal . to adapt on 5 401AHC or 5 401AHM



CARACTERÍSTICAS

- Ange
- Trim for thermostatic mixer with 2 valves item to be installed horizontal . to adapt on 5 401AHC or 5 401AHM

PRODUCTOS RELACIONADOS

- Ref. G00-5401AHC 3/4" THG thermostat, 60 l/mn with two valves with wax cartridge delivered with a built-in box, without trim - to be installed horizontal (for installation with cross handle)
- Ref. G00-5401AHM 3/4" THG thermostat, 60 l/mn with two valves with wax cartridge delivered with a built-in box, without trim - to be installed horizontal (for installation with lever handle)

ACABADOS DISPONIBLES

- | | | | | |
|---------------------------|---------------------------------------|----------------------------|-----------------------------|------------------------------|
| Bronce claro - D01 | Dorado - F01 | Níquel viejo - H28 | Pvd color níquel mate - H56 | Pvd marrón bronce mate - F34 |
| Cerámica negra mate - D30 | Dorado mate - F07 | Pvd blush - H62 | Pvd color oro - H52 | Pvd umber - H66 |
| Cobre viejo mate - H07 | Dorado pálido - F30 | Pvd blush mate - H60 | Pvd color oro mate - H53 | Pvd umber mate - H67 |
| Cromo - A02 | Dorado pálido mate (sin barniz) - F31 | Pvd color latón - H49 | Pvd grafito - H64 | |
| Cromo / dorado - G02 | Níquel - B01 | Pvd color latón mate - H50 | Pvd grafito mate - H65 | |
| Cromo mate - C02 | Níquel mate - C01 | Pvd color níquel - H55 | Pvd marrón bronce - F33 | |