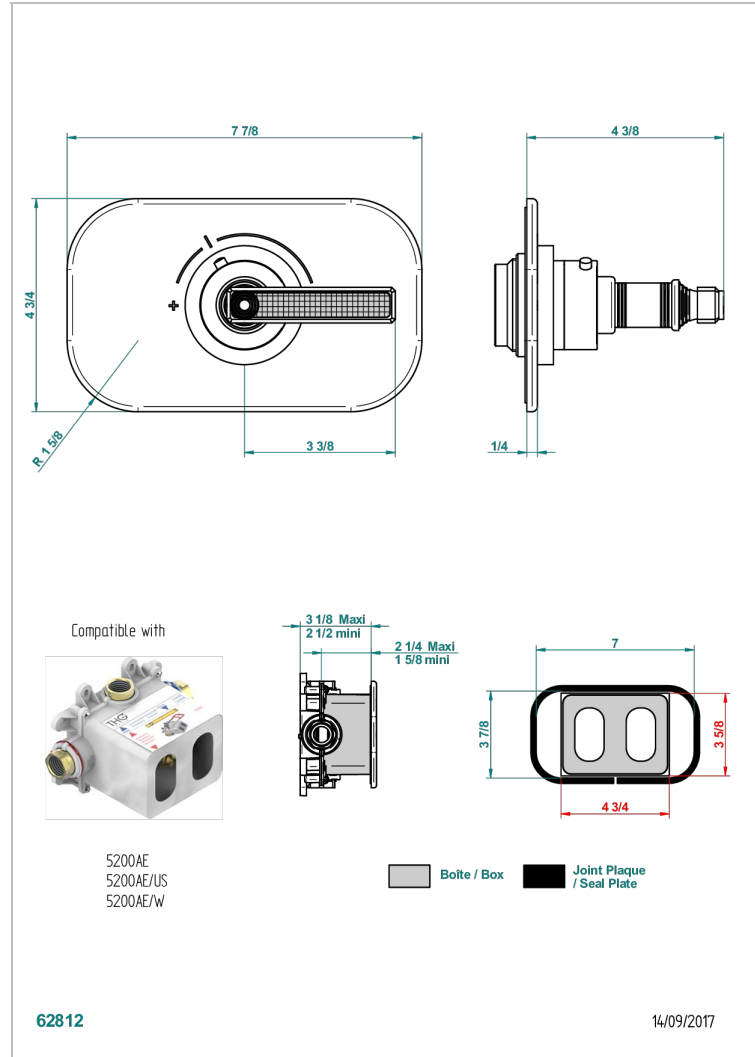


WEST COAST WITH GUILLOCHE DECOR WITH LEVER HANDLES

U9D-5100B

Trim for THG thermostat, rough part supplied with fixing box ref.5 200AE/US



CHARACTERISTIC

- Requires concealed thermostat ref. 5200AE, 5200AE/US and 5200AE/W
- Temperature control knob with security stop at 38°C
- On/off valves (or diverter with stop function) required for each shower function
- Solid brass plate and knob
- ASME : ASME A112.18.1-2011/CSA B125.1-11
- DVGW : DW-6512CQ0608

STANDARDS



RELATED SKU'S

- Ref. G00-5100C Extension kit for thermostatic mixing valve - for installation between 80 mm and 125 mm
- Ref. G00-5100G Reinforced stop ring for THG thermostatic with fixing set
- Ref. G00-5200AE/US 3/4" THG thermostat, 60 l/min with wax cartridge, delivered with a built-in box, no trim

AVAILABLE FINITIONS

Black ceram - D30
Blush PVD - H62
Brass color PVD - H49
Brown bronze color PVD - F33
Chrome polished - A02
Copper antique matt, coated - H07

Gold color PVD - H52
Gold mat - F07
Gold polished - F01
Graphite PVD - H64
Light coated bronze - D01
Matt Umber PVD - H67

Matt blush PVD - H60
Matt brass color PVD - H50
Matt brown bronze color PVD - F34
Matt chrome (American satin) - C02
Matt gold color PVD - H53
Matt graphite PVD - H65

Matt nickel (American satin) - C01
Matt nickel color PVD - H56
Natural smoked Brass - A13
Nickel antique / Sovereign - H28
Nickel color PVD - H55
Nickel polished - B01

Polished chrome with gold inlay - GA1
Soft gold - F30
Soft matt gold - F31
Umber PVD - H66