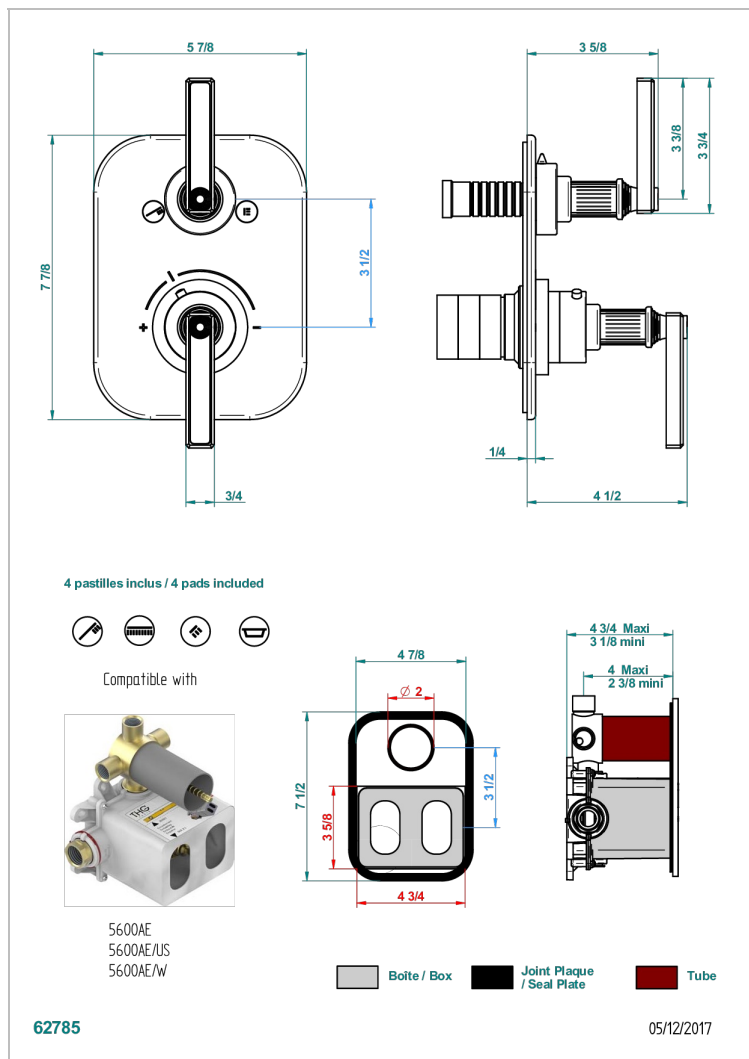
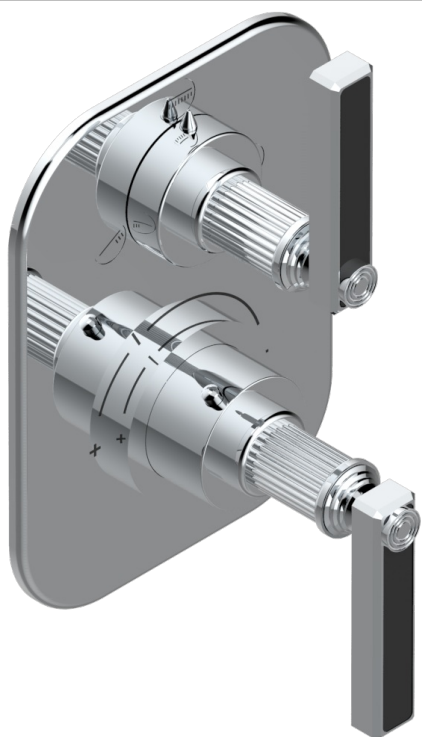


# GRAND CENTRAL BLACK ONYX WITH LEVER

U9N-5600BE

Trim for THG thermostat with stop valve and 3 way diverter,- ref. 5 600AE with box for rough parts



## CHARACTERISTIC

- Built-in thermostatic cover for 5600AE - 5600AE/US - 5600AE/W with 3 no.1/2" outputs (stop function between each position)
- Requires concealed thermostat Ref 5600AE - 5600AE/US - 5600AE/W
- For Shower 3 functions - non simultaneous -
- Temperature control knob with security stop at 38°C
- Solid brass plate and knob
- ASME : ASME A112.18.1-2011/CSA B125.1-11
- DVGW : DW-6512CQ0608

## STANDARDS



## RELATED SKU'S

- Ref. G00-5100G Reinforced stop ring for THG thermostatic with fixing set
- Ref. G00-5600AE 3/4" THG thermostat with wax cartridge, with stop valve and 3 outlets (stop position between outlets), delivered with a built-in box, no trim

## AVAILABLE FINITIONS

Antique nickel - H28  
Black ceram - D30  
Blush PVD - H62  
Brass color PVD - H49  
Brown bronze color PVD - F33  
Gold color PVD - H52

Graphite PVD - H64  
Lacquered light bronze - D01  
Matt Umber PVD - H67  
Matt blush PVD - H60  
Matt brass color PVD - H50  
Matt brown bronze color PVD - F34

Matt chrome - C02  
Matt gold - F07  
Matt gold color PVD - H53  
Matt graphite PVD - H65  
Matt nickel (color finish) - C01  
Matt nickel color PVD - H56

Natural smoked Brass - A13  
Nickel color PVD - H55  
Polished chrome (color finish) - A02  
Polished gold (color finish) - F01  
Polished nickel - B01  
Soft gold - F30

Soft matt gold - F31  
Umber PVD - H66  
Varnished matt antique red copper (color finish) - H07