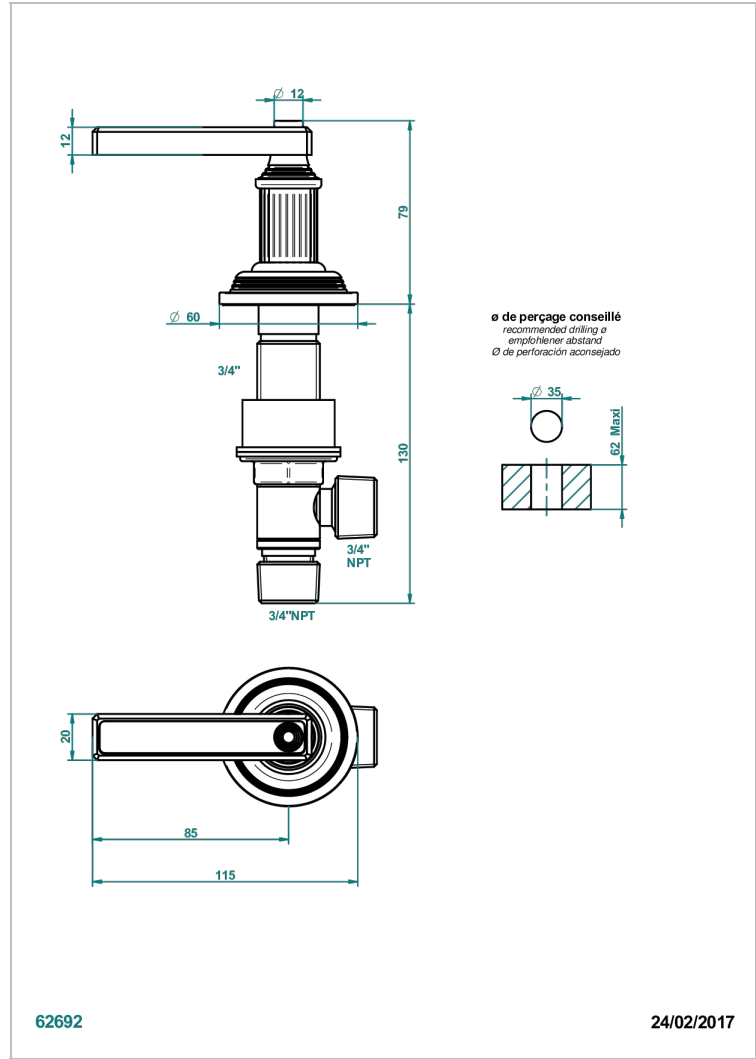


# GRAND CENTRAL WHITE ONYX WITH LEVER HANDLES

U9S-36/H

台式350毫米浴缸喷嘴 - WRAS认证



62692

24/02/2017

## 特色

- Grand central White Onyx with lever handles
- 台式350毫米浴缸喷嘴 - WRAS认证

## 可选饰面

Black ceram - D30  
Blush PVD - H62  
Graphite PVD - H64  
Matt Umber PVD - H67  
Matt blush PVD - H60  
Matt graphite PVD - H65

Natural smoked Brass - A13  
PVD哑光棕铜 - F34  
PVD哑光金 - H53  
PVD哑光铜 - H50  
PVD哑光镍 - H56  
PVD抛光铜 - H49

PVD棕铜 - F33  
PVD金色 - H52  
PVD镍 - H55  
Umber PVD - H66  
哑光复古铜 - H07  
哑光浅金 - F31

哑光金 - F07  
哑光铬 - C02  
哑光镍 - C01  
复古镍 - H28  
抛光金 (24K金) - F01  
抛光铬 - A02

抛光镍 - B01  
浅金 - F30  
漆面铜 - D01