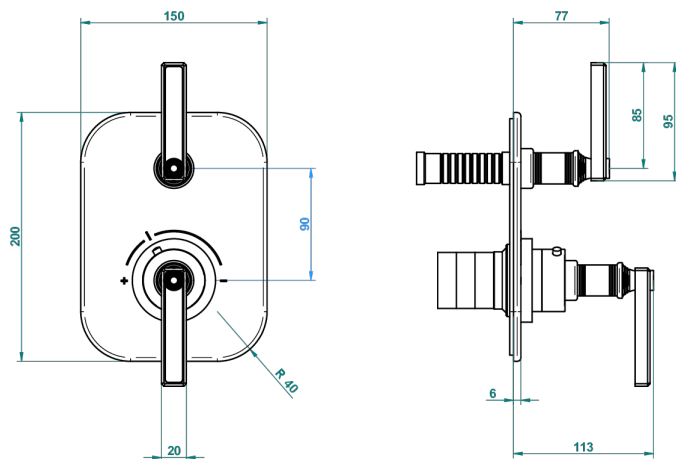
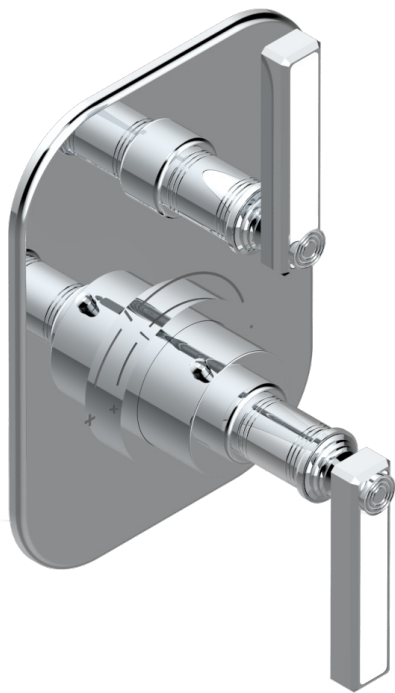


# WEST COAST WHITE ONYX WITH LEVER HANDLES

U9H-5300BE

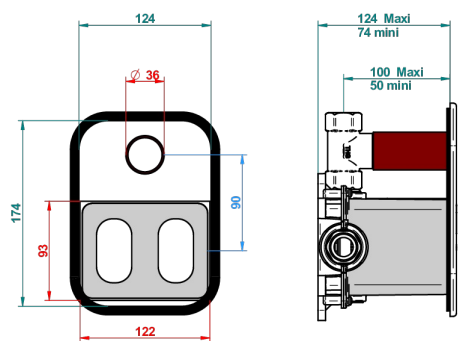
THG温控龙头配件，带关闭阀，型号5 300AE，含安装盒



Compatible with



5300AE  
5300AE/US  
5300AE/W



Boite / Box Joint Plaque / Seal Plate Tube

62563

16/11/2017

## 特色

- ASME : ASME A112.18.1-2011/CSA B125.1-11
- DVGW : DW-6512CQ0608

## 标准



## 相关的SKU

- Ref. G00-5300AE THG嵌入式温控龙头主体，含蜡元件阀芯，3/4" 60 l/mn，带关闭阀，含安装盒
- Ref. G00-5100G THG温控龙头温度制动环，含固件组

## 可选饰面

Black ceram - D30  
Blush PVD - H62  
Graphite PVD - H64  
Matt Umber PVD - H67  
Matt blush PVD - H60  
Matt graphite PVD - H65

Natural smoked Brass - A13  
PVD哑光棕铜 - F34  
PVD哑光金 - H53  
PVD哑光铜 - H50  
PVD哑光镍 - H56  
PVD抛光铜 - H49

PVD棕铜 - F33  
PVD金色 - H52  
PVD镍 - H55  
Umber PVD - H66  
哑光复古铜 - H07  
哑光浅金 - F31

哑光金 - F07  
哑光铬 - C02  
哑光镍 - C01  
复古镍 - H28  
抛光金 (24K金) - F01  
抛光铬 - A02

抛光镍 - B01  
浅金 - F30  
漆面铜 - D01