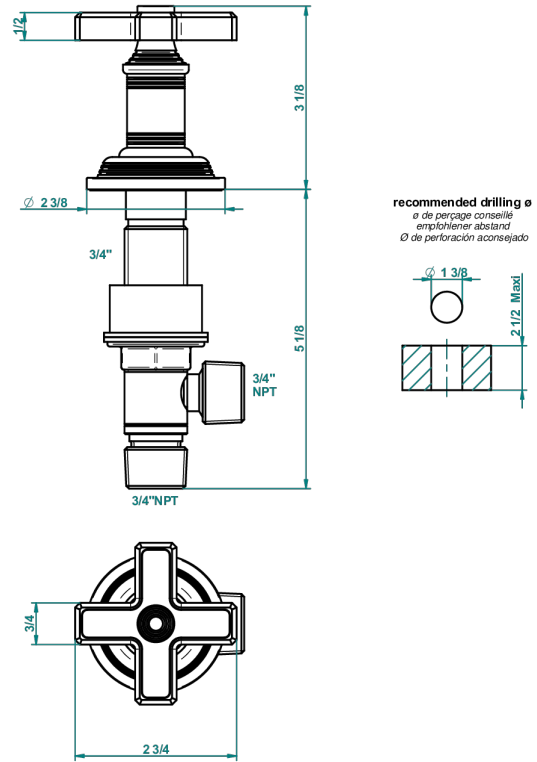


WEST COAST BLACK ONYX

U9E-36/US

3/4" deck valve with trim



61620

22/12/2016

CHARACTERISTIC

- ASME : ASME A112.18.1-2011/CSA B125.1-11

STANDARDS



AVAILABLE FINITIONS

Black ceram - D30
 Blush PVD - H62
 Brass color PVD - H49
 Brown bronze color PVD - F33
 Chrome polished - A02
 Copper antique matt, coated - H07

Gold color PVD - H52
 Gold mat - F07
 Gold polished - F01
 Graphite PVD - H64
 Light coated bronze - D01
 Matt Umber PVD - H67

Matt blush PVD - H60
 Matt brass color PVD - H50
 Matt brown bronze color PVD - F34
 Matt chrome (American satin) - C02
 Matt gold color PVD - H53
 Matt graphite PVD - H65

Matt nickel (American satin) - C01
 Matt nickel color PVD - H56
 Natural smoked Brass - A13
 Nickel antique / Sovereign - H28
 Nickel color PVD - H55
 Nickel polished - B01

Soft gold - F30
 Soft matt gold - F31
 Umber PVD - H66