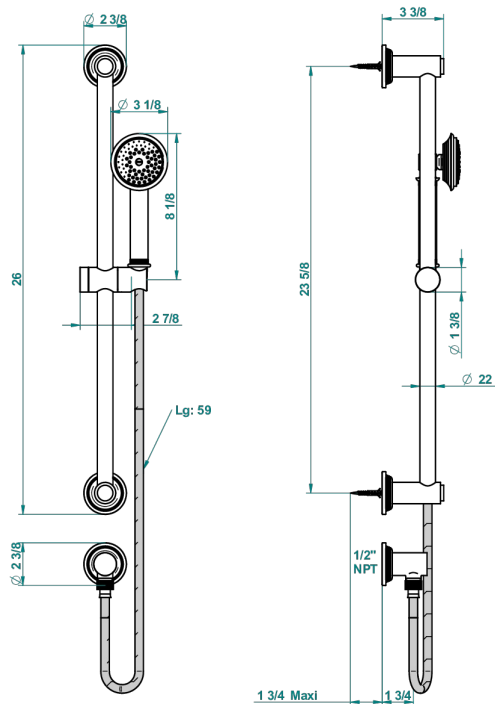


# WEST COAST METAL WITH LEVER HANDLES

U9B-58/US

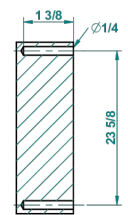
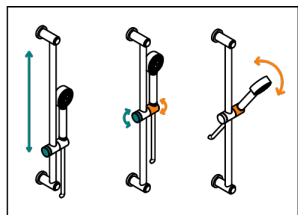
Slide bar with handsower and elbow



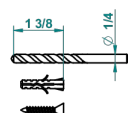
Lg: 59

1 3/4 Maxi

1 3/4



recommended drilling ø  
ø de perçage conseillé  
empfohlener Abstand  
Ø de perforación aconsejado



61519

16/12/2016

## CHARACTERISTIC

- West Coast Metal with lever handles
- Slide bar with handsower and elbow

## AVAILABLE FINITIONS

Black ceram - D30	Gold color PVD - H52	Matt blush PVD - H60	Matt nickel (American satin) - C01	Polished chrome with gold inlay - GA1
Blush PVD - H62	Gold mat - F07	Matt brass color PVD - H50	Matt nickel color PVD - H56	Soft gold - F30
Brass color PVD - H49	Gold polished - F01	Matt brown bronze color PVD - F34	Natural smoked Brass - A13	Soft matt gold - F31
Brown bronze color PVD - F33	Graphite PVD - H64	Matt chrome (American satin) - C02	Nickel antique / Sovereign - H28	Umber PVD - H66
Chrome polished - A02	Light coated bronze - D01	Matt gold color PVD - H53	Nickel color PVD - H55	
Copper antique matt, coated - H07	Matt Umber PVD - H67	Matt graphite PVD - H65	Nickel polished - B01	