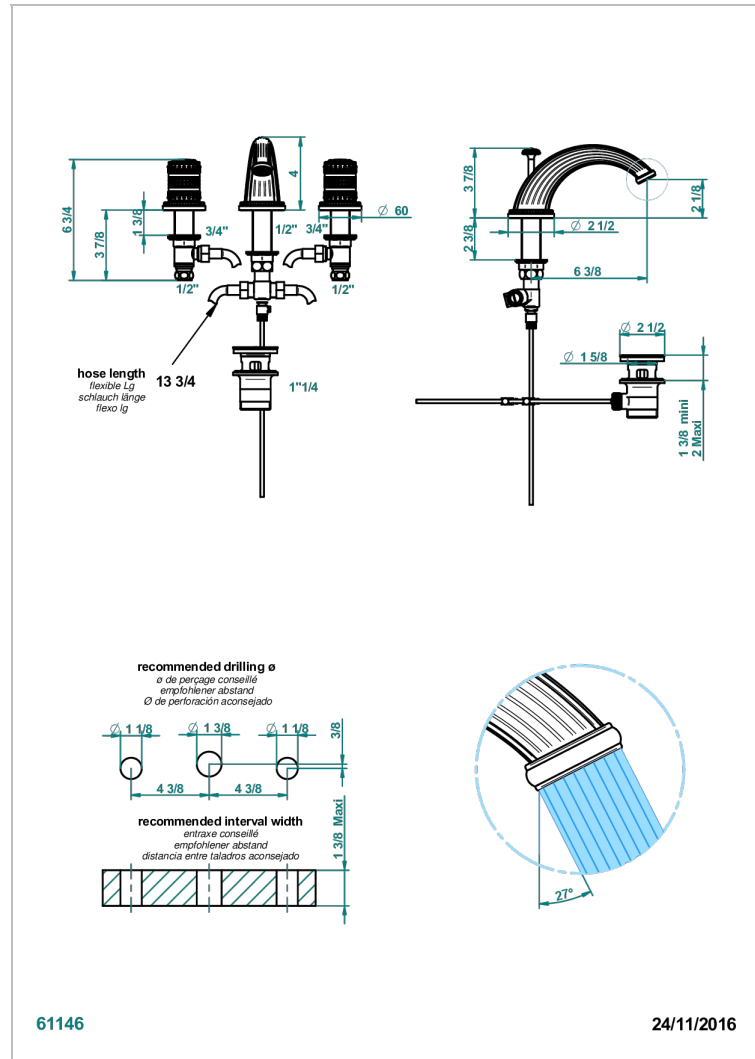


MONTE CARLO, GOLD PORCELAIN

U8B-151/W

Rim mounted 3-hole basin mixer with waste - WRAS approved

THG[®]
PARIS



CHARACTERISTIC

- WRAS : 2109366

STANDARDS



TECHNICAL SPECS

- Recommandé : 3 bars (max. 5 bars) - Advised : 43,5 psi (max. 72 psi)
- 5,7 l/min à 3 bars (1.5 gpm at 43.5 psi)

AVAILABLE FINITIONS

- Antique nickel - H28
- Black ceram - D30
- Lacquered light bronze - D01
- Matt chrome - C02
- Matt gold - F07
- Matt nickel (color finish) - C01

- Polished chrome (color finish) - A02
- Polished chrome / Polished gold (color finish) - G02
- Polished gold (color finish) - F01
- Polished nickel - B01
- Soft gold - F30
- Soft matt gold - F31

- Varnished matt antique red copper (color finish) - H07